

Service
Service
Service



Service Manual



TABLE OF CONTENTS

Location of PC Boards 1-1
 Specification 1-2
 Measurement Setup 1-3
 Service Aids 1-4
 Instruction On CD Playability 1-5 to 1-6
 Software Version Check & Upgrade 2-1
 Malfunction Check Chart 2-2
 Disassembly Diagram 3-1 to 3-2
 Block Diagram 4-1
 Wiring Diagram 4-2
 Volume Board 5-1
 Display Board 6
 Circuit diagram 6-1
 Layout diagram 6-2
 AUX,USB&Headphone Board 7
 TUNER Board 8
 Circuit diagram 8-1
 Layout diagram 8-2

Power Board 9
 Circuit diagram 9-1 to 9-2
 Layout diagram 9-3
 Decoder Board 10
 Circuit diagram 10-1 to 10-9
 Layout diagram 10-10 to 10-11
 Explode View 11-1 to 11-2
 Service Partlist 12-1 to 12-2
 Factory Partlist 13-1 to 13-6



© Copyright 2008 Philips Consumer Electronics B.V. Eindhoven, The Netherlands
 All rights reserved. No part of this publication may be reproduced, stored in a retrieval system or transmitted, in any form or by any means, electronic, mechanical, photocopying, or otherwise without the prior permission of Philips.

Published by DB 0839 Service Audio Printed in The Netherlands Subject to modification

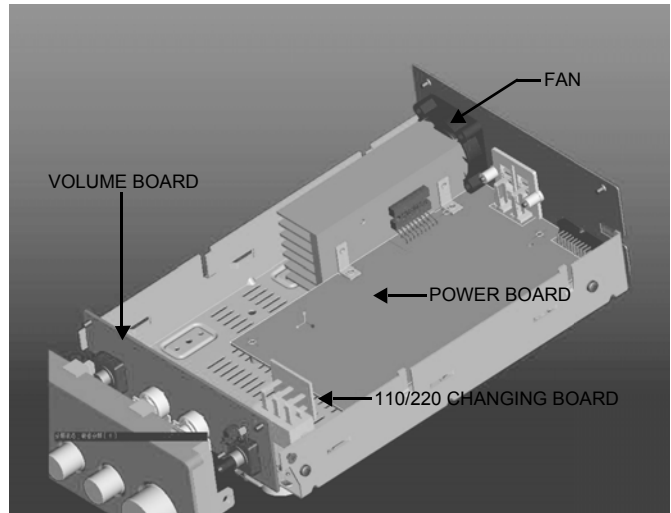
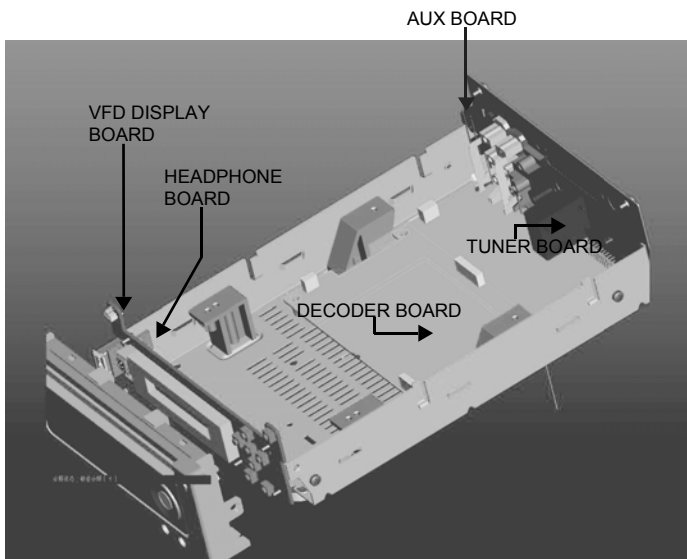
© 3141 785 32711

Version 1.1



PHILIPS

Location of PC Boards



VERSION VARIATIONS :

Type /Versions:		MCD772										
Board in used:	Service policy	/05	/12	/37	/55	/58	/61	/79	/93	/94	/96	/98
DISPLAY BOARD									C			
USB BOARD									M			
AXU BOARD									M			
TUNER BOARD									M			
HEADPHONE BOARD									M			
DECODER BOARD									M			
VOLUME BOARD									M			
POWER BOARD									M			
Type /Versions:		MCD772										
Features	Feature difference	/05	/12	/37	/55	/58	/61	/79	/93	/94	/96	/98
RDS												
VOLTAGE SELECTOR												
ECO STANDBY - DARK												
TDS												
* TIPS : C -- Component Lever Repair. M -- Module Lever Repair √ -- Used												

Specification

AMPLIFIER

Rated Output Power 2 x 50W RMS
 Signal-to-noise ratio ≥ 65 dBA
 Frequency response 50Hz - 3 dB+/-2 20KHz
 Aux Input 0.5V RMS 47kohm

DISC

Laser Type Semiconductor
 Disc Diameter 12cm/8cm
 Support Disc
 DVD,DVD-R,DVD-RW,DVD+RW,CD-DA,MP3,CD-RW
 Audio DAC 24Bits / 44.1kHz
 Total Harmonic Distortion <0.1%(1kHz)
 Frequency Response 50Hz - 3dB+/-2 20KHz
 S/N Ration ≥ 65 dBA

TUNER

FM Tuning Range 87.5 – 108 MHz
 Tuning grid 50KHz

Sensitivity

– Mono, 50dB S/N Ratio 5u V
 – Stereo, 46dB S/N Ratio 100uV
 Selectivity >28dB
 Image Rejection >25dB
 Total Harmonic Distortion <3%
 Signal to Noise Ration >50dBA

SPEAKERS

Speaker Impedance 4ohm
 Speaker Driver, base 4.5"
 Speaker Driver, tweeter 3"
 Frequency Response 50Hz -3dB+/-2 20KHz

GENERAL INFORMATION

Total Output power 100W RMS
 AC Power 220-230V / 50Hz/60Hz
 Operation Power Consumption 55W
 Standby Power Consumption <4W
 Eco Standby Power Consumption <1W
 Headphone Output 2X15mW 32ohm
 USB Direct Version 1.1

Dimensions

– Main unit (w x h x d) 248x280x105mm
 – Speaker box (w x h x d) 206x170x270mm

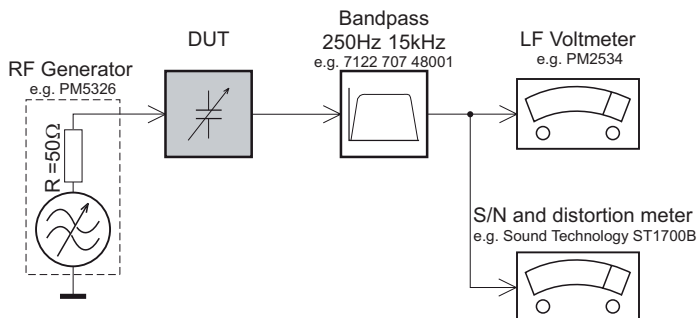
Weight

– With Packing 9 KG
 – Main Unit 3.5KG
 – Speaker box 3.3KG

Specifications and external appearance are subject to change without notice.

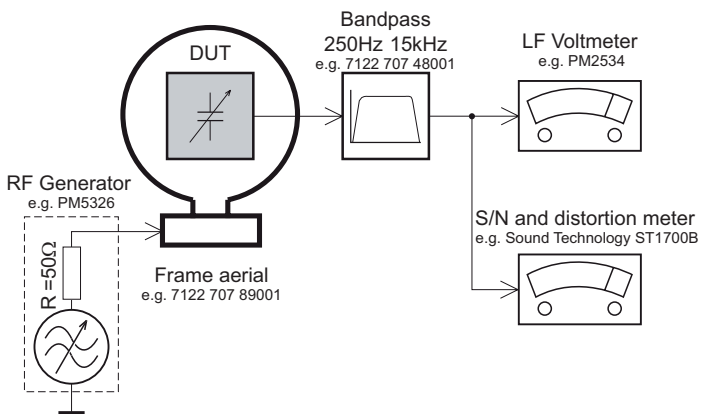
MEASUREMENT SETUP

Tuner FM



Use a bandpass filter to eliminate hum (50Hz, 100Hz) and disturbance from the pilotone (19kHz, 38kHz).

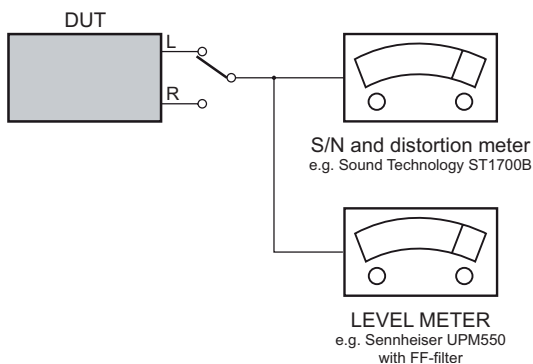
Tuner AM (MW,LW)



To avoid atmospheric interference all AM measurements have to be carried out in a Faraday's cage. Use a bandpass filter (or at least a high pass filter with 250Hz) to eliminate hum (50Hz, 100Hz).

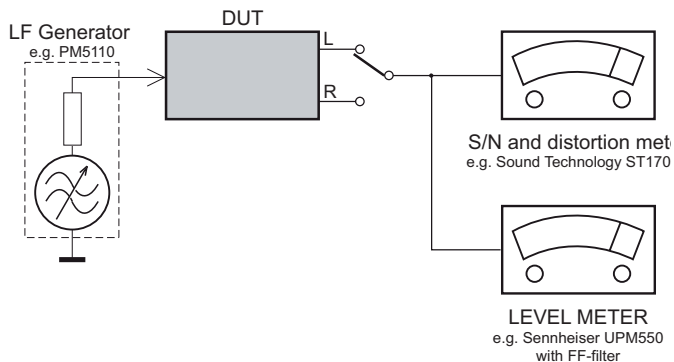
CD

Use Audio Signal Disc SBC429 4822 397 30184 (replaces test disc 3)



Recorder

Use Universal Test Cassette Cr02 SBC419 4822 397 30069 or Universal Test Cassette Fe SBC420 4822 397 30071



SERVICE AIDS

GB WARNING

All ICs and many other semi conductors are susceptible to electrostatic discharges (ESD). Careless handling during repair can reduce life drastically.

When repairing, make sure that you are connected with the same potential as the mass of the set via a wrist wrap with resistance.


Keep components and tools also at this potential.

ESD



GB

Safety regulations require that the set be restored to its original condition and that parts which are identical with those specified, be used

Safety components are marked by the symbol .

**CLASS 1
LASER PRODUCT**

INFORMATION ABOUT LEAD-FREE SOLDERING

Philips CE is producing lead-free sets from 1.1.2005 onwards.

IDENTIFICATION:

Regardless of special logo (not always indicated) one must treat all sets from 1 Jan 2005 onwards, according next rules:



- On our website www.atyourservice.ce.Philips.com you find more information to:
 - * BGA-de-/soldering (+ baking instructions)
 - * Heating-profiles of BGAs and other ICs used in Philips-sets
 - * Lead free

You will find this and more technical information within the "magazine", chapter "workshop news".

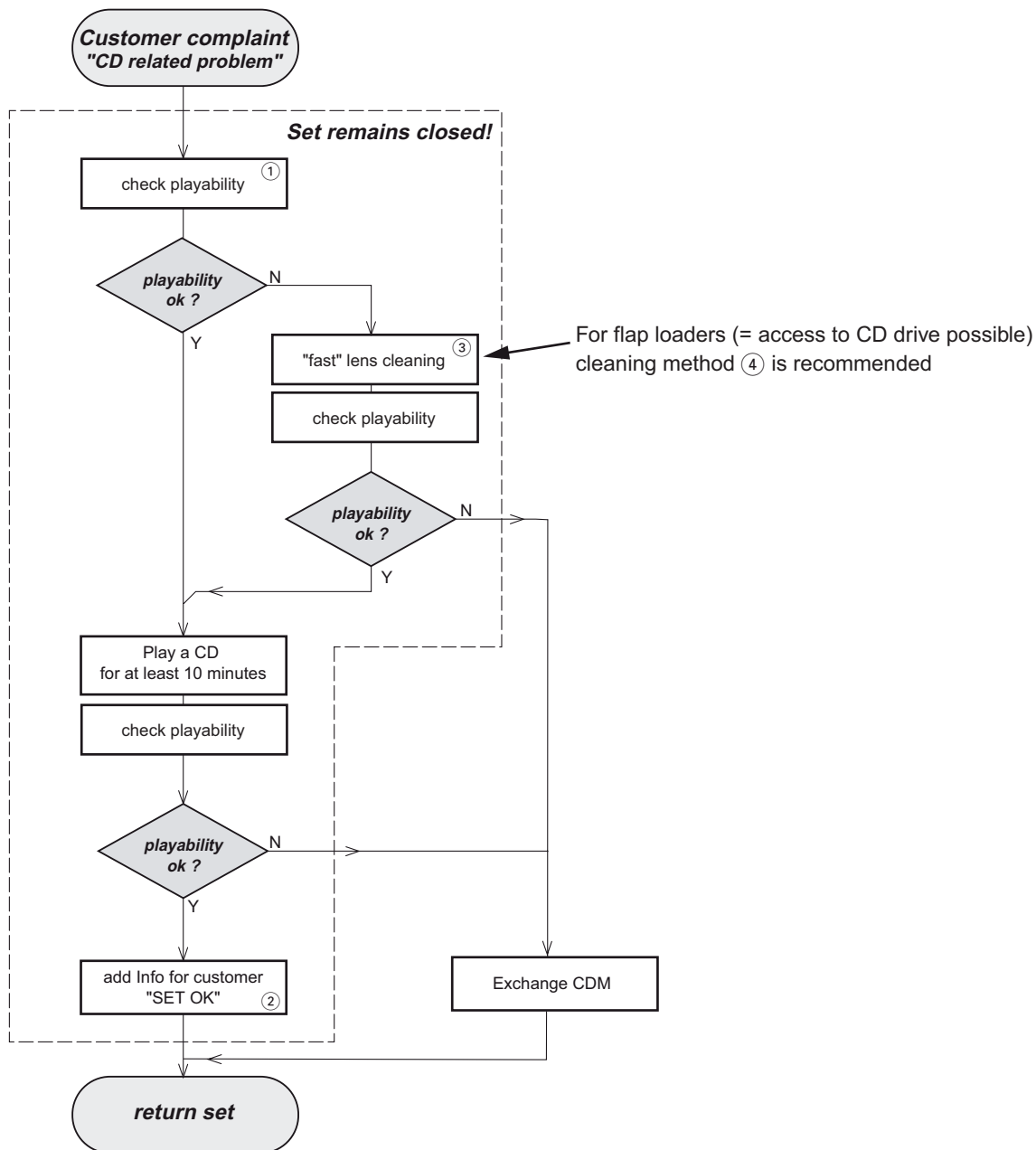
For additional questions please contact your local repair-helpdesk.

SERVICE INSTRUCTION

Safety regulations require that after a repair, the set must be returned in its original condition. Pay in particular attention to the following points:

- Route the wire trees correctly and fix them with the mounted cable clamps.
- Check the insulation of the AC Power lead for external damage.
- Check the strain relief of the AC Power cord for proper function.
- Check the electrical DC resistance between the AC Power Plug and the secondary side (only for sets which have a AC Power isolated power supply):
 1. Unplug the AC Power cord and connect a wire between the two pins of the AC Power plug.
 2. Set the AC Power switch to the "on" position (keep the AC Power cord unplugged!).
 3. Measure the resistance value between the pins of the AC Power plug and the metal shielding of the tuner or the aerial connection on the set. The reading should be larger than 4.5 Mohm (For U.S. it should be between 4.2 Mohm and 12 Mohm).
 4. Switch "off" the set, and remove the wire between the two pins of the AC Power plug.
- Check the cabinet for defects, to avoid touching of any inner parts by the customer.

INSTRUCTIONS ON CD PLAYABILITY



① ④ For description see following pages

INSTRUCTIONS ON CD PLAYABILITY

①

PLAYABILITY CHECK

For sets which are compatible with **CD-RW** discs
 use CD-RW Printed Audio Disc7104 099 96611
 TR 3 (Fingerprint)
 TR 8 (600µ Black dot) **maximum at 01:00**

- playback of these two tracks without audible disturbance
 playing time for: Fingerprint ≥ 10 seconds
 Black dot from 00:50 to 01:10
- jump forward/backward (search) within a reasonable time

For all other sets
 use CD-DA SBC 444A4822 397 30245
 TR 14 (600µ Black dot) **maximum at 01:15**
 TR 19 (Fingerprint)
 TR 10 (1000µ wedge)

- playback of all these tracks without audible disturbance
 playing time for: 1000µ wedge ≥ 10 seconds
 Fingerprint ≥ 10 seconds
 Black dot from 01:05 to 01:25
- jump forward/backward (search) within a reasonable time

②

CUSTOMER INFORMATION

It is proposed to add an addendum sheet to the set which informs the customer that the set has been checked carefully - but no fault was found.

The problem was obviously caused by a scratched, dirty or copy-protected CD. In case problems remain, the customer is requested to contact the workshop directly.

The lens cleaning (method ③) should be mentioned in the addendum sheet.

The final wording in national language as well as the printing is under responsibility of the Regional Service Organizations.

④

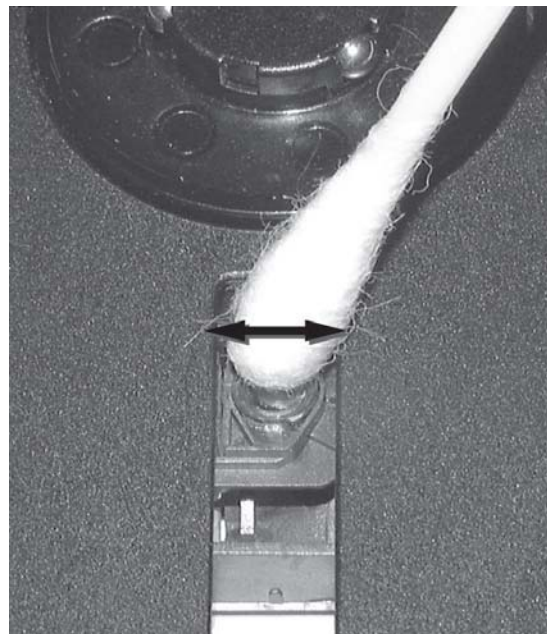
LIQUID LENS CLEANING

Before touching the lens it is advised to clean the surface of the lens by blowing clean air over it. This to avoid that little particles make scratches on the lens.

Because the material of the lens is synthetic and coated with a special anti-reflectivity layer, cleaning must be done with a non-aggressive cleaning fluid. It is advised to use "Cleaning Solvent

The actuator is a very precise mechanical component and may not be damaged in order to guarantee its full function. Clean the lens gently (don't press too hard) with a soft and clean cotton bud moistened with the special lens cleaner.

The direction of cleaning must be in the way as indicated in the picture below.



Software Version Check & Upgrade

Upgrade software

1. Downloading the software from Philips support website
<http://www.philips.com/support>
2. Load the CD Disc or USB with software, when it is loading, the TV screen showing as below:

Upgrade File detected
Upgrade?
Press PLAY to start
Upgrading

Waiting half to one minute, till the TV screen showing disappear.
Turn off electrical source and reopen.

3. Press SYSTEM on the remote open menu, press Left or Right to select "Preference Page", TV screen showing as below:

--Preference Page--
TV type PAL
Audio CHI English
Subtitle CHI French
Disc menu CHI Spanish
Parental Chinese
 Japanese
Default Korean
 Russian
 Tjai

Press Up or Down to select "Default" on remote, Press OK to exit reset.
Software upgrade finish.

Software check

Input password "811502" on remote, TV screen showing as below:

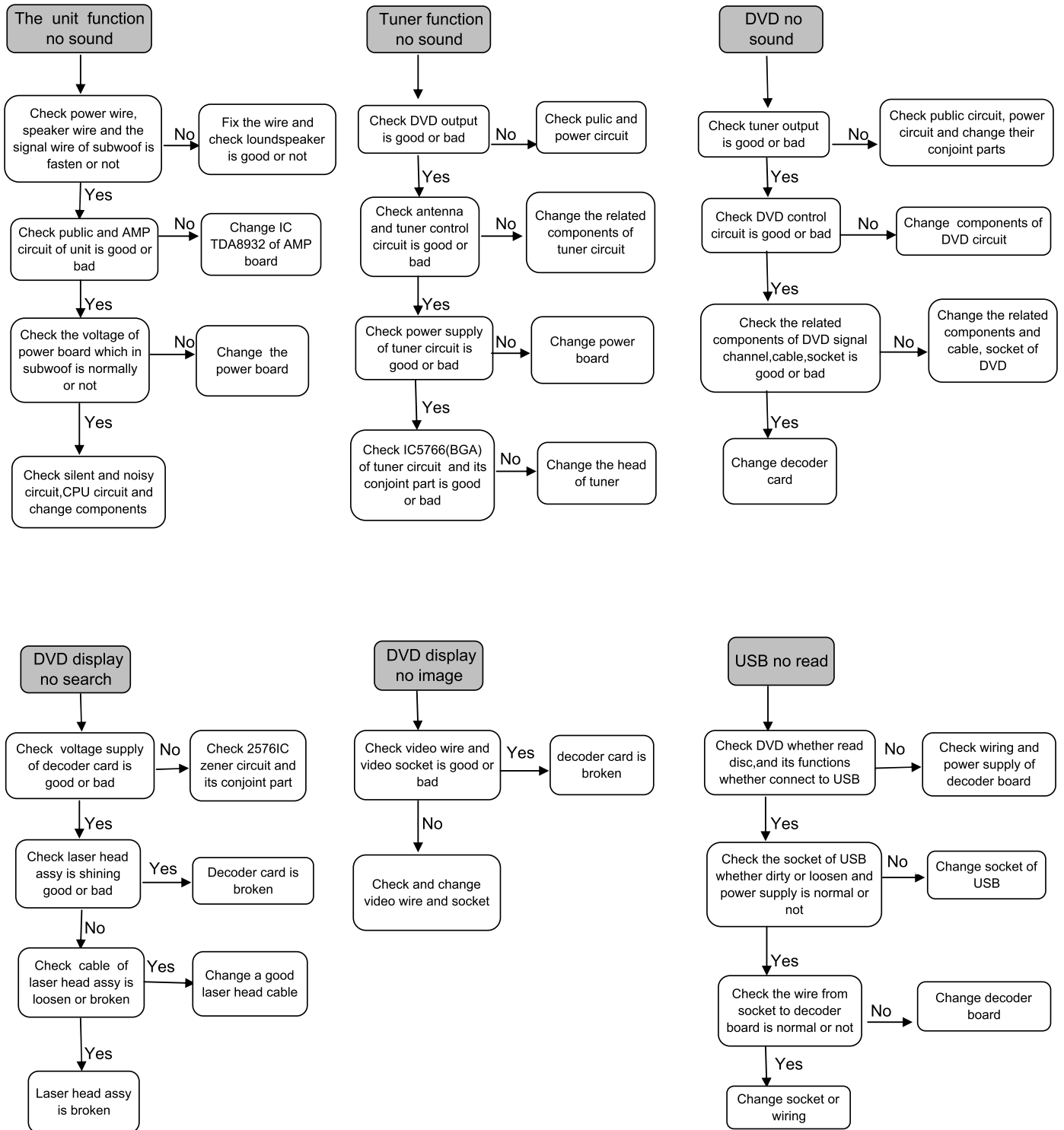
Ver : MCD772 / xxxx
Date mm dd yyyy
Time hh : mm : ss
Region code x

CPU version check

1. Keep press PLAY/PAUSE and STOP buttons, plug into the power cord at one time, TV showing as below:

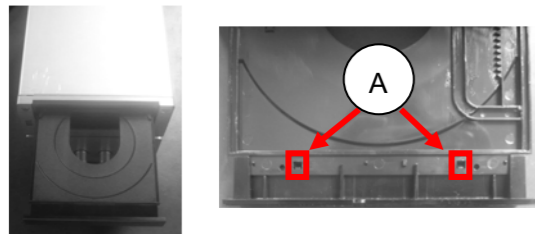
MCD772 Vxx

Malfunction follow check chart

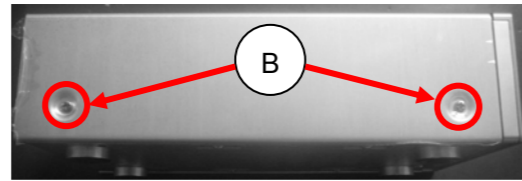


Disassembly Diagram-DVD Part

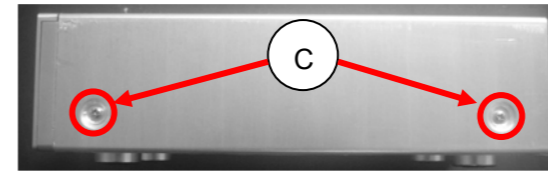
A. Turn on the power, open DVD door. And then turn off, prize two place of lock of rubber feet, remove DVD door.



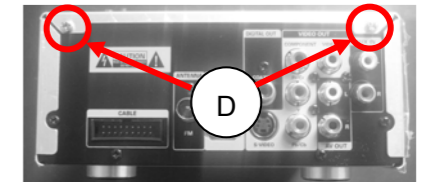
B. Loosen screws which located the left of cover TORX T-7 STTK 8010 3.0×6.0NI(2PCS)



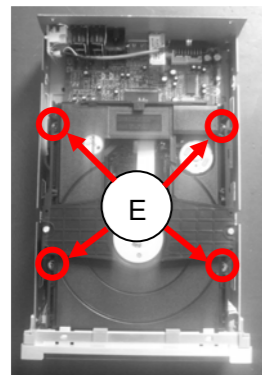
C. Loosen screws which located the right of cover TORX T-7 STTK 8010 3.0 × 6.0NI(2PCS).



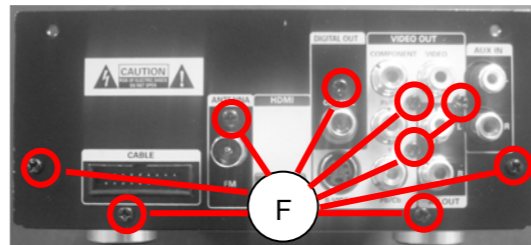
D. Loosen screws which located back of top cover TORX T-10 STTK 3.0× 6.0NI(2PCS), and then remove top cover.



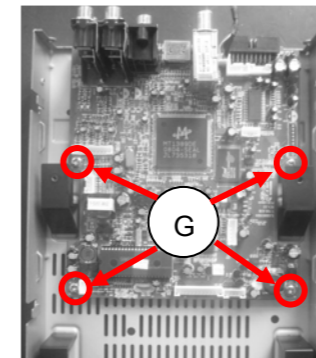
E. Loosen screws 3× 10PWA (4PCS) to remove DVD loader.



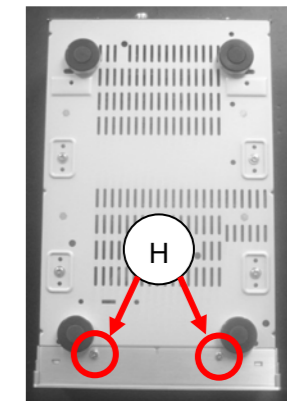
F. Loosen screws PHILIPS TORX T-10 1.5P 3.0X10.0 AB(4PCS), TORX STTP T-10 3.0X6.0 AB3(5PCS) to remove rear panel.



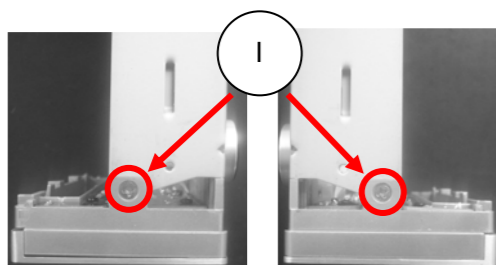
G. Loosen screws 3× 5BM(4PCS) to remove decoder board.



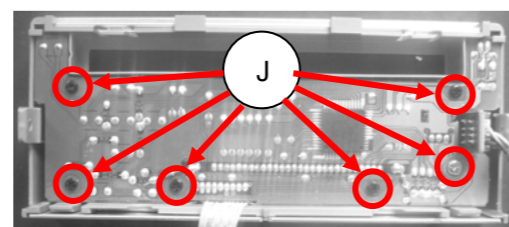
H. Loosen screws 3× 5BMTT(2PCS) to remove bottom cover.



I. Loosen screws which located the side cabinet 3× 5FMTT(2PCS).

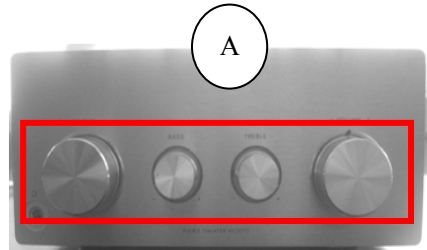


J. Loosen screws 2.6× 8PA(6PCS) to remove display board.

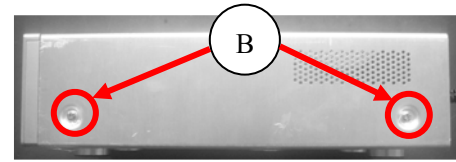


Disassembly Diagram-AMP Part

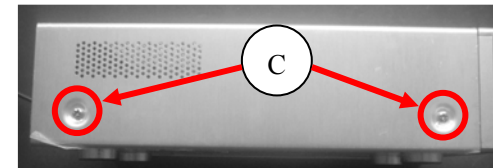
A. Remove functional knob 4PCS.



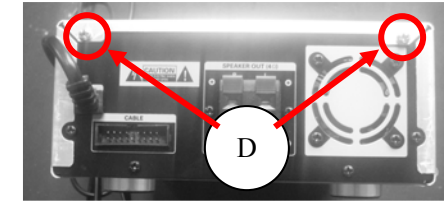
B. Loosen screws which located the right of top cover TORX T-7 STTK 8010 3.0X6.0 NI(2PCS).



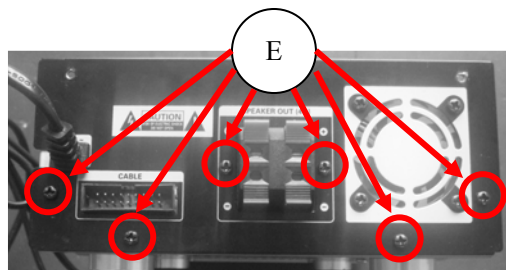
C. Loosen screws which located the left of top cover TORX T-7 STTK 8010 3.0X6.0 NI(2PCS).



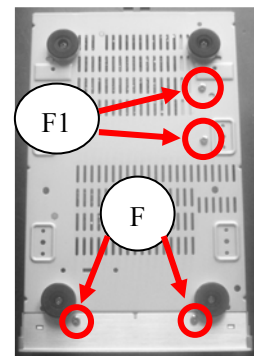
D. Loosen screws which located back of top cover TORX T-10 STTB 3.0X6.0 NI(2PCS).



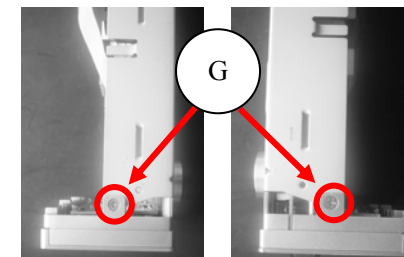
E. Loosen screws PHILIPS TORX T-10 1.5P 3.0X10.0 AB3(2PCS), TORX STTP T-10 3.0X6.0 AB3 (4PCS) to remove rear panel.



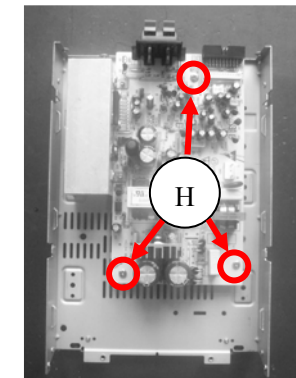
F. Loosen screws 3×5BMTT (2PCS) to remove bottom cover.
F1. Loosen screws 3×6BTH (2PCS) to remove radiator.



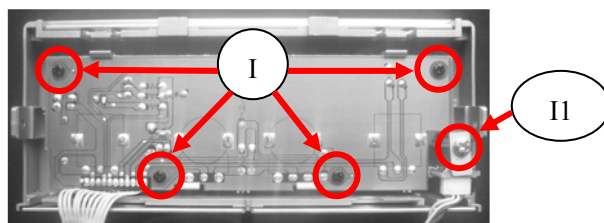
G. Loosen screws which located side cabinet 3×5FMTT (2PCS).



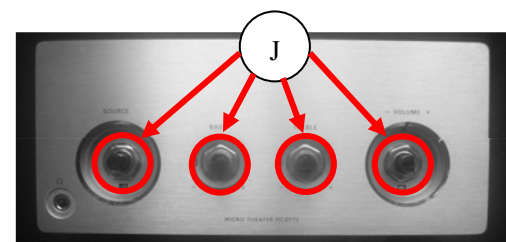
H. Loosen screws 3×5BM (3PCS) to remove AMP board.

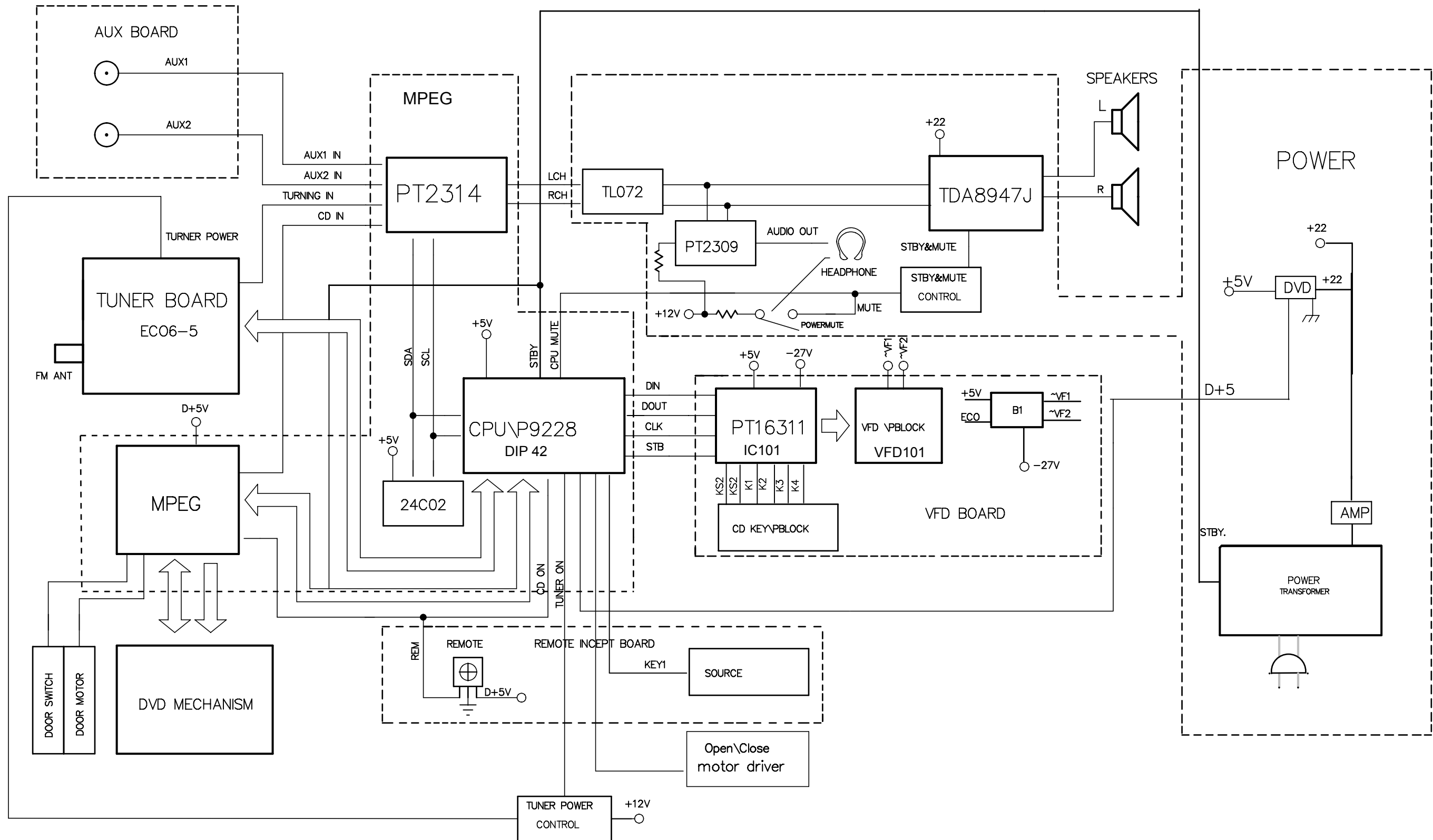


I. Loosen screws 2.6×8PA (4PCS) to remove volume board.
H1. Loosen screws 3×8BA (1PCS) to remove headphone board.

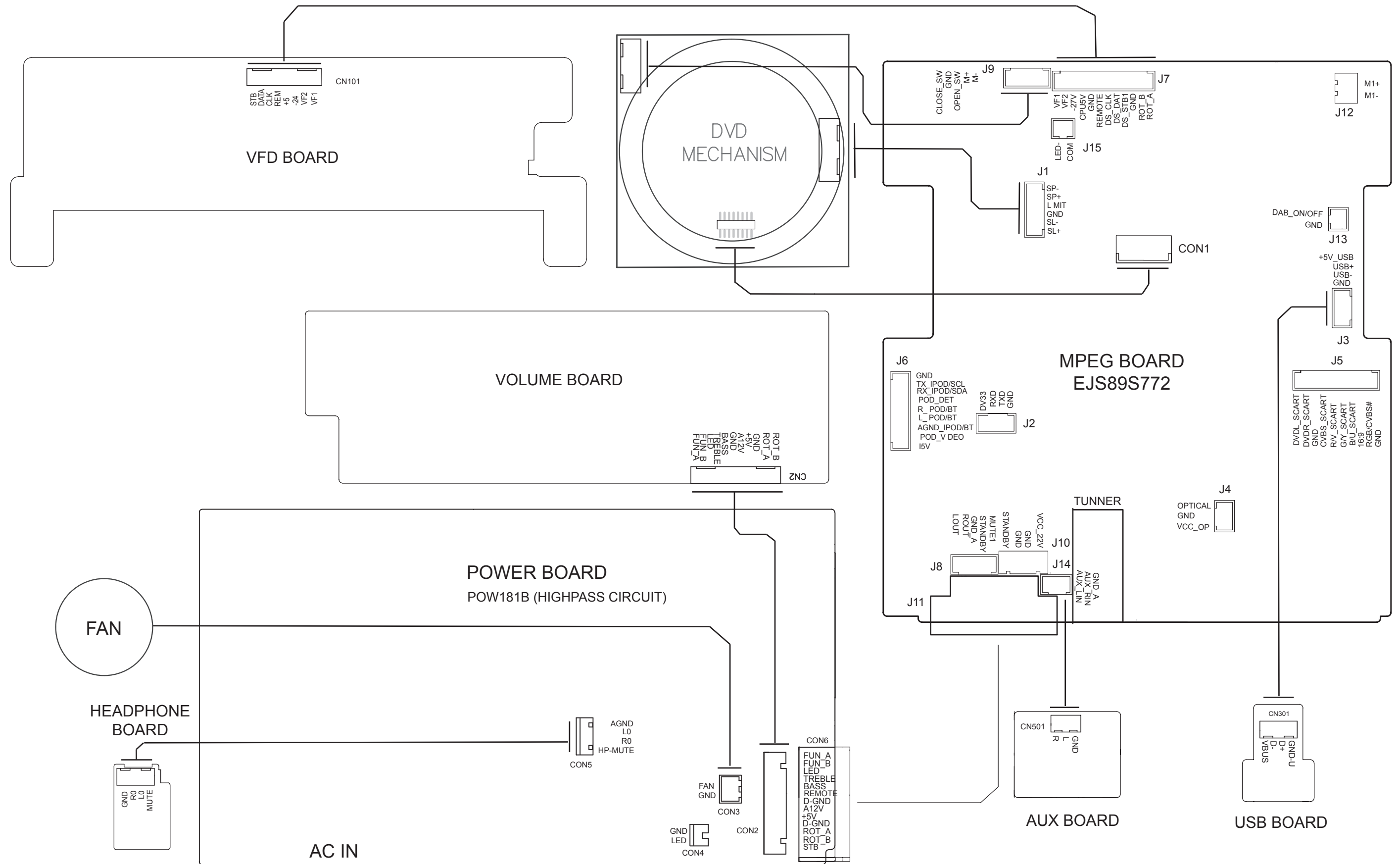


J. Loosen screws of functional knob(4PCS).

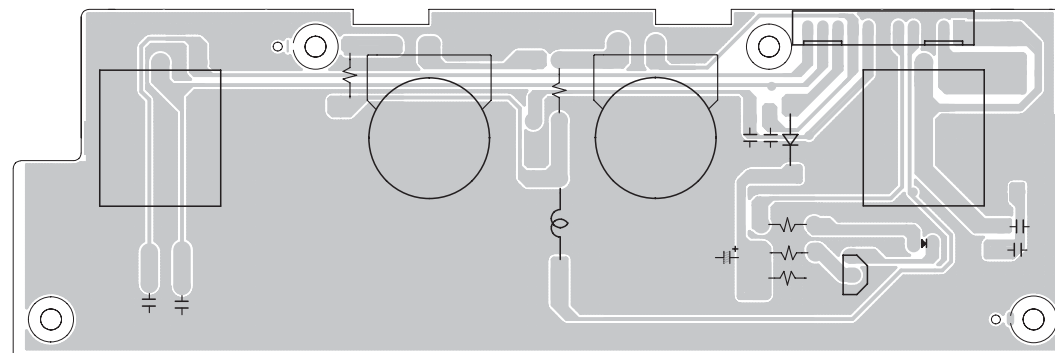
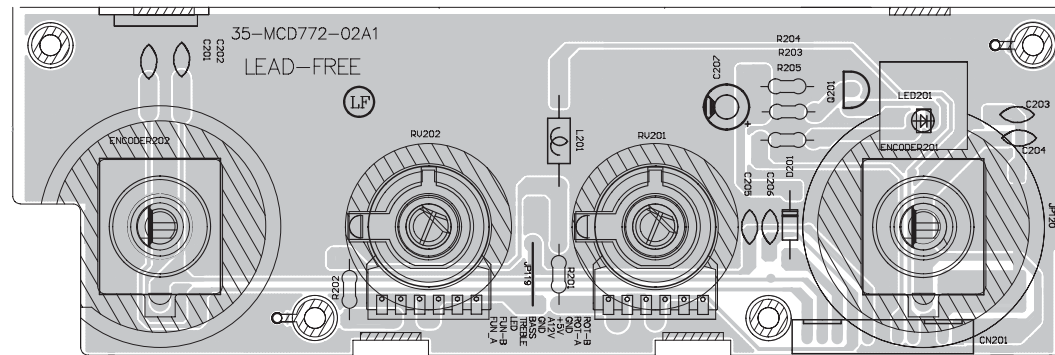
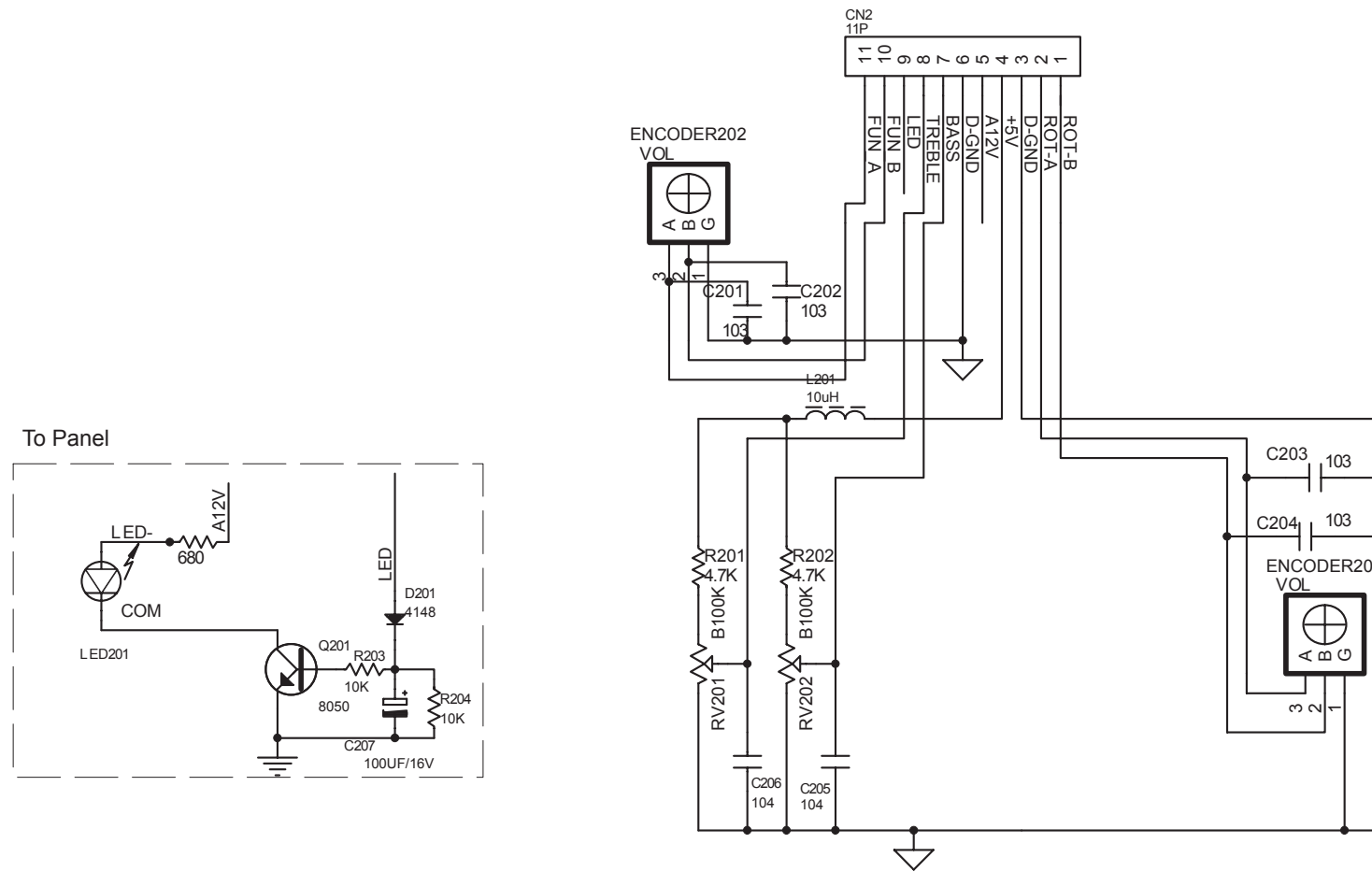




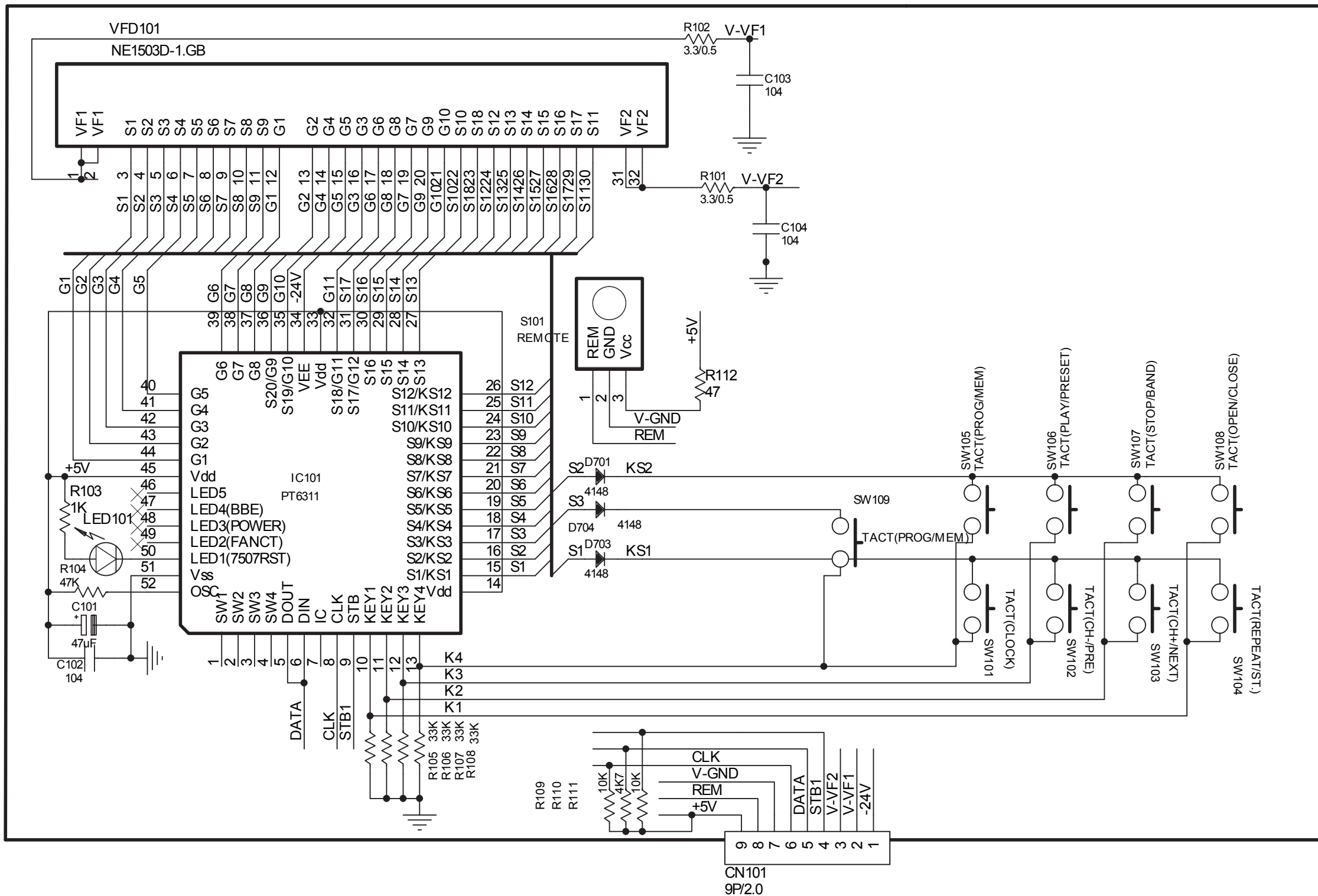
Wiring Diagram



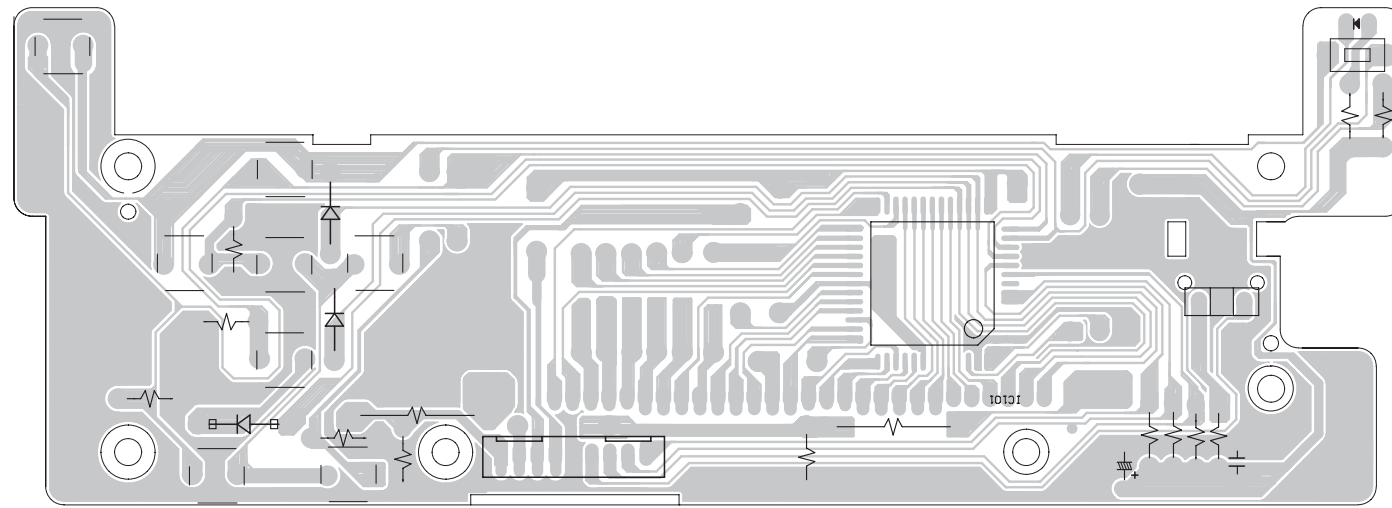
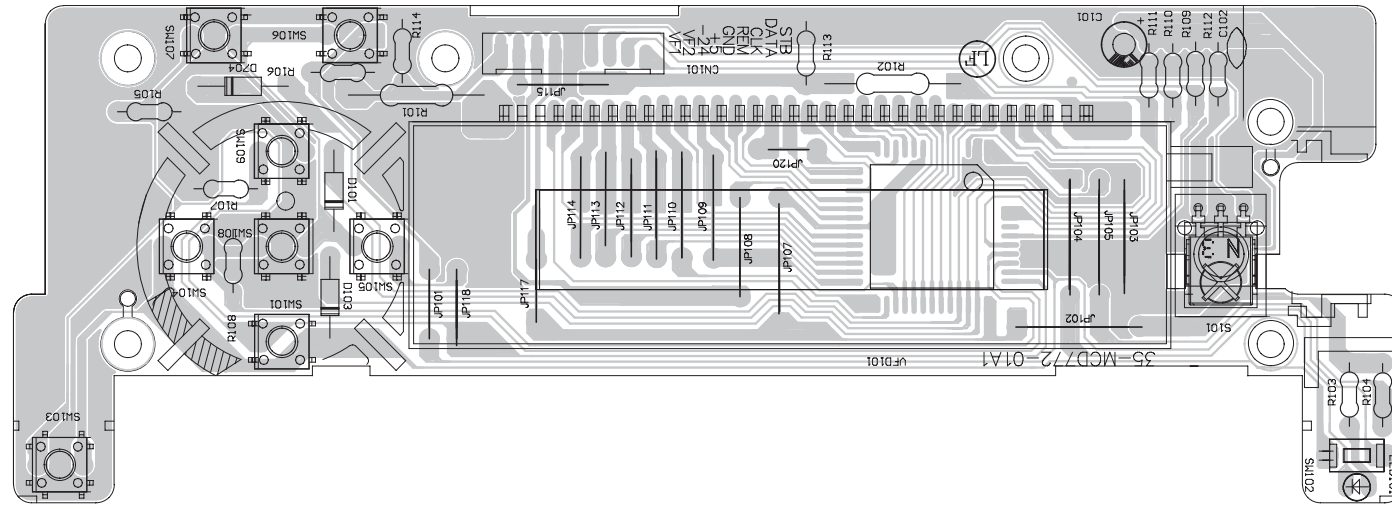
Volume Board



Display Board--Circuit Diagram

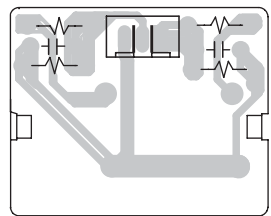
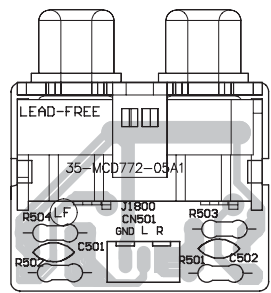
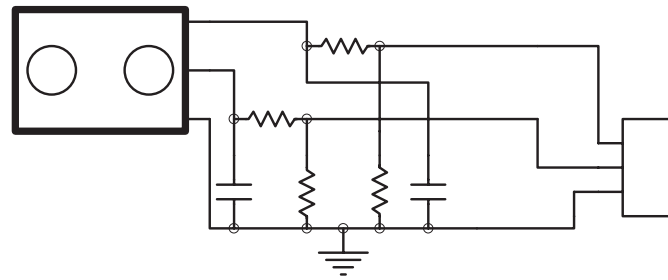


Display Board--Layout Diagram

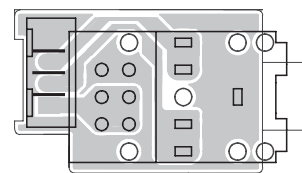
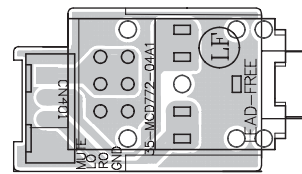
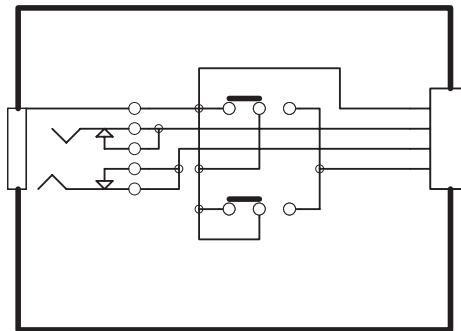


AUX、USB&Headphone Board

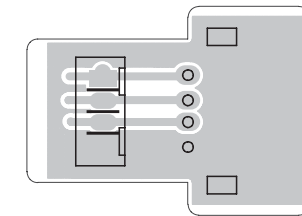
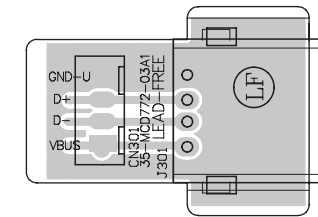
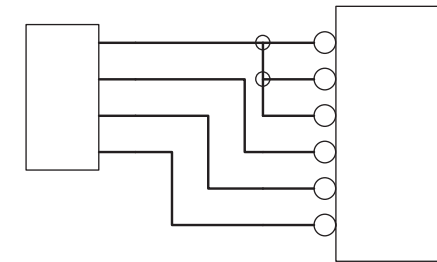
AUX BOARD



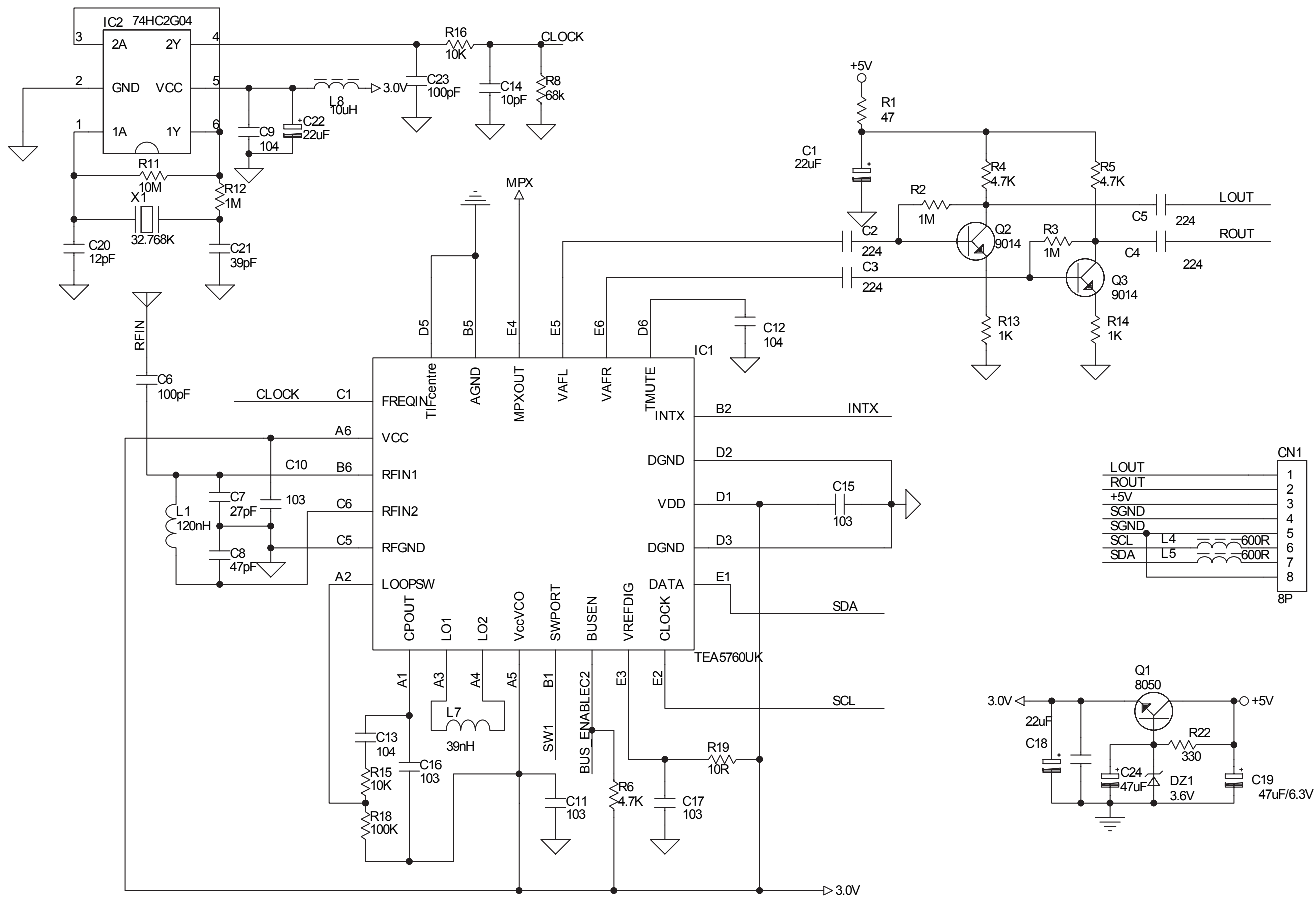
HEADPHONE BOARD



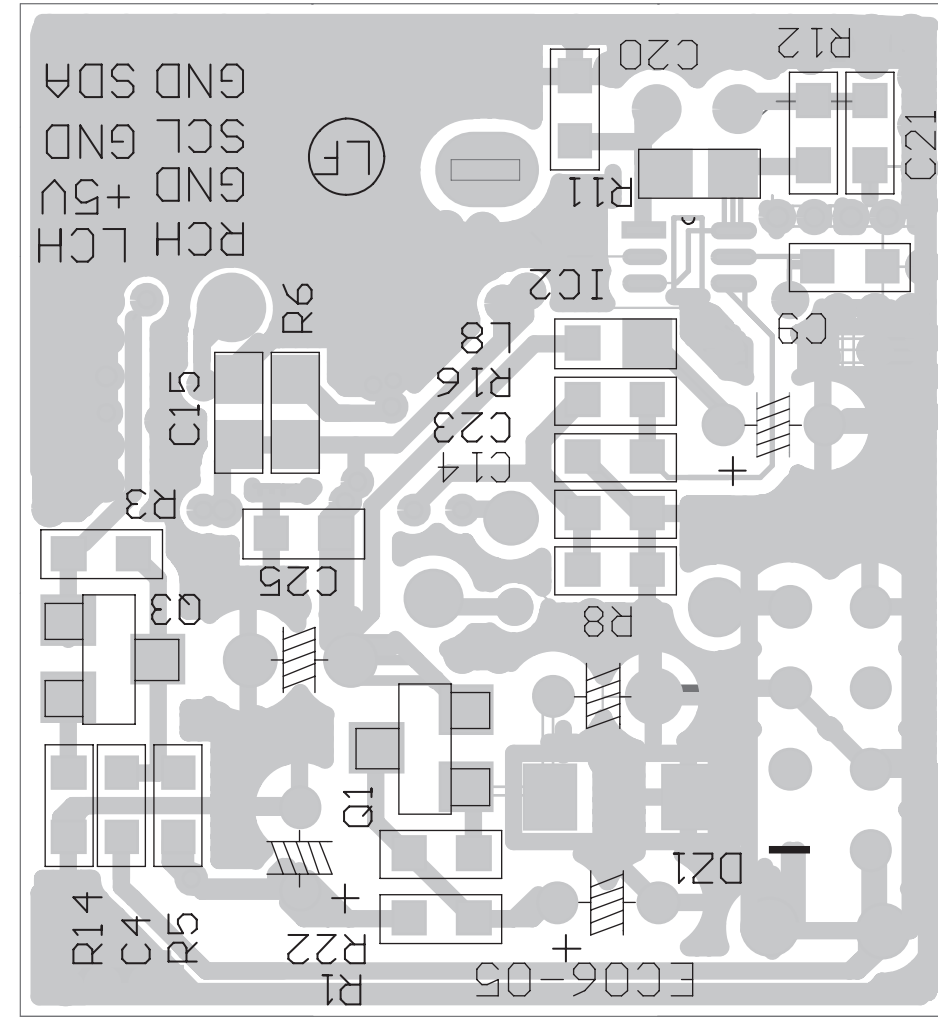
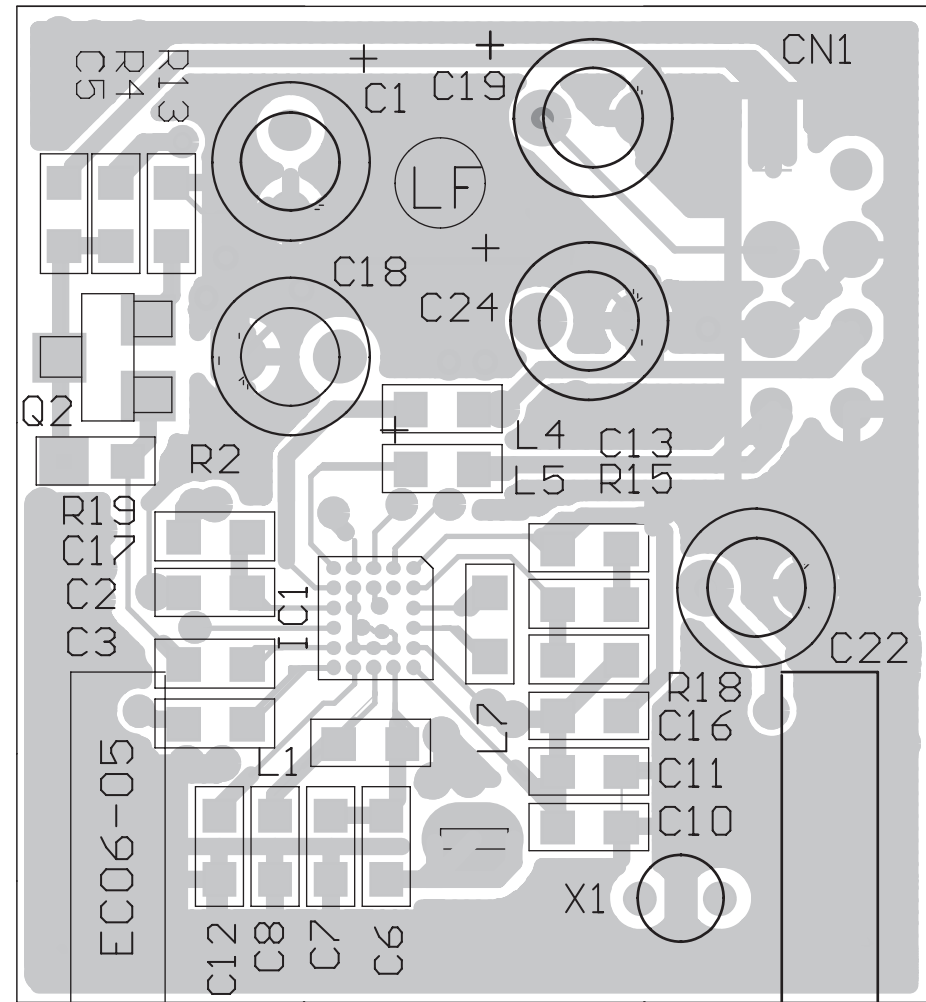
USB BOARD



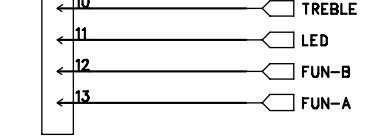
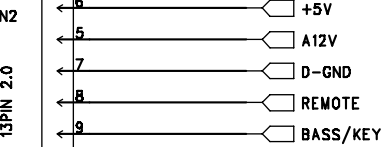
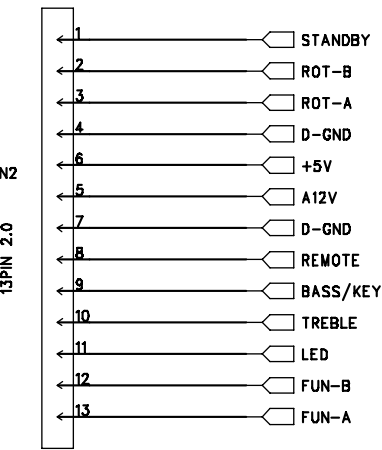
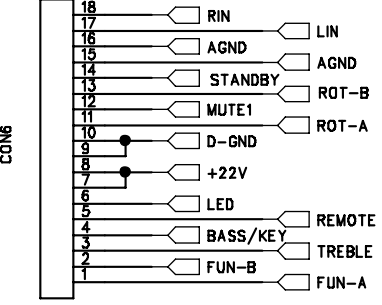
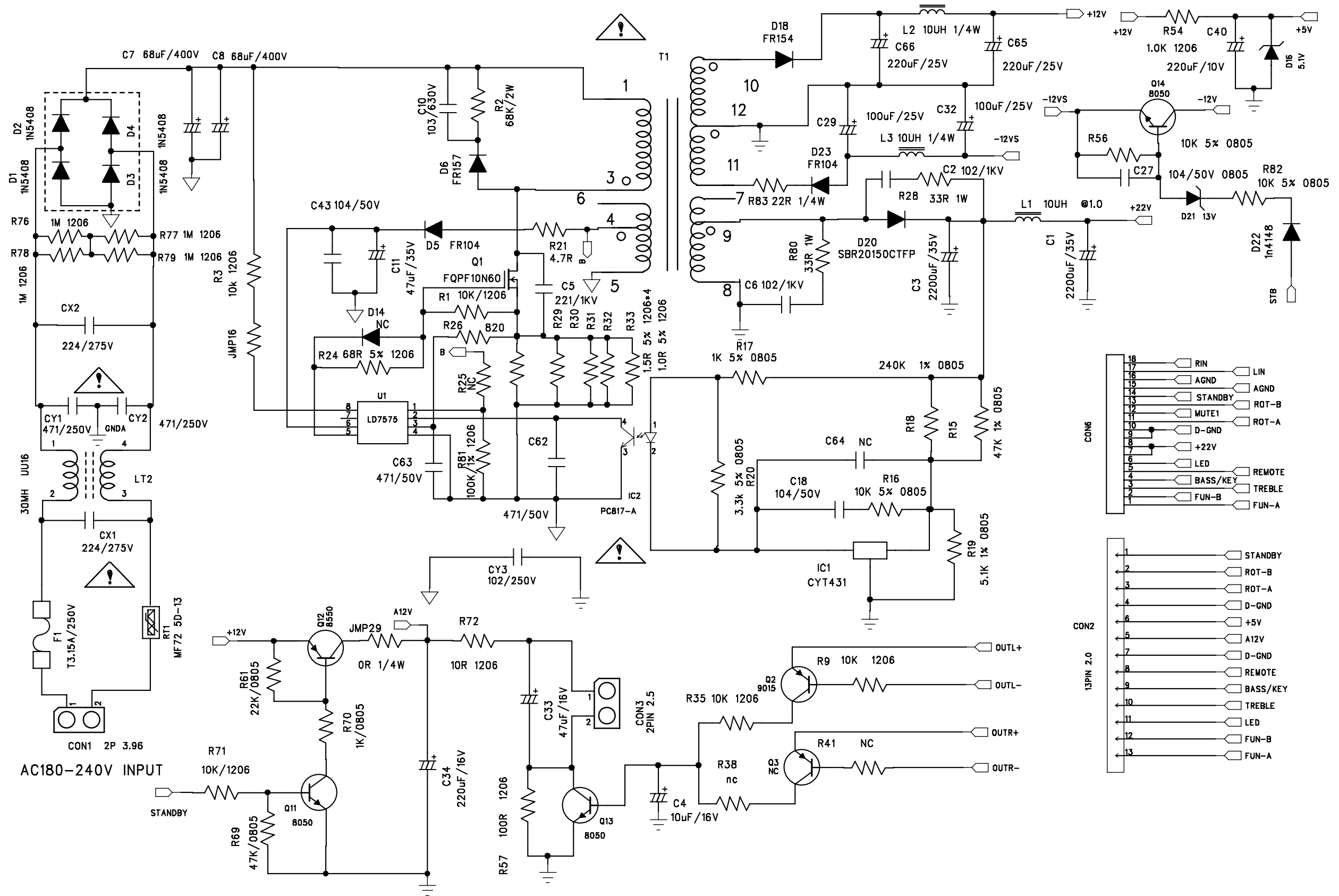
Tuner Board-Circuit Diagram



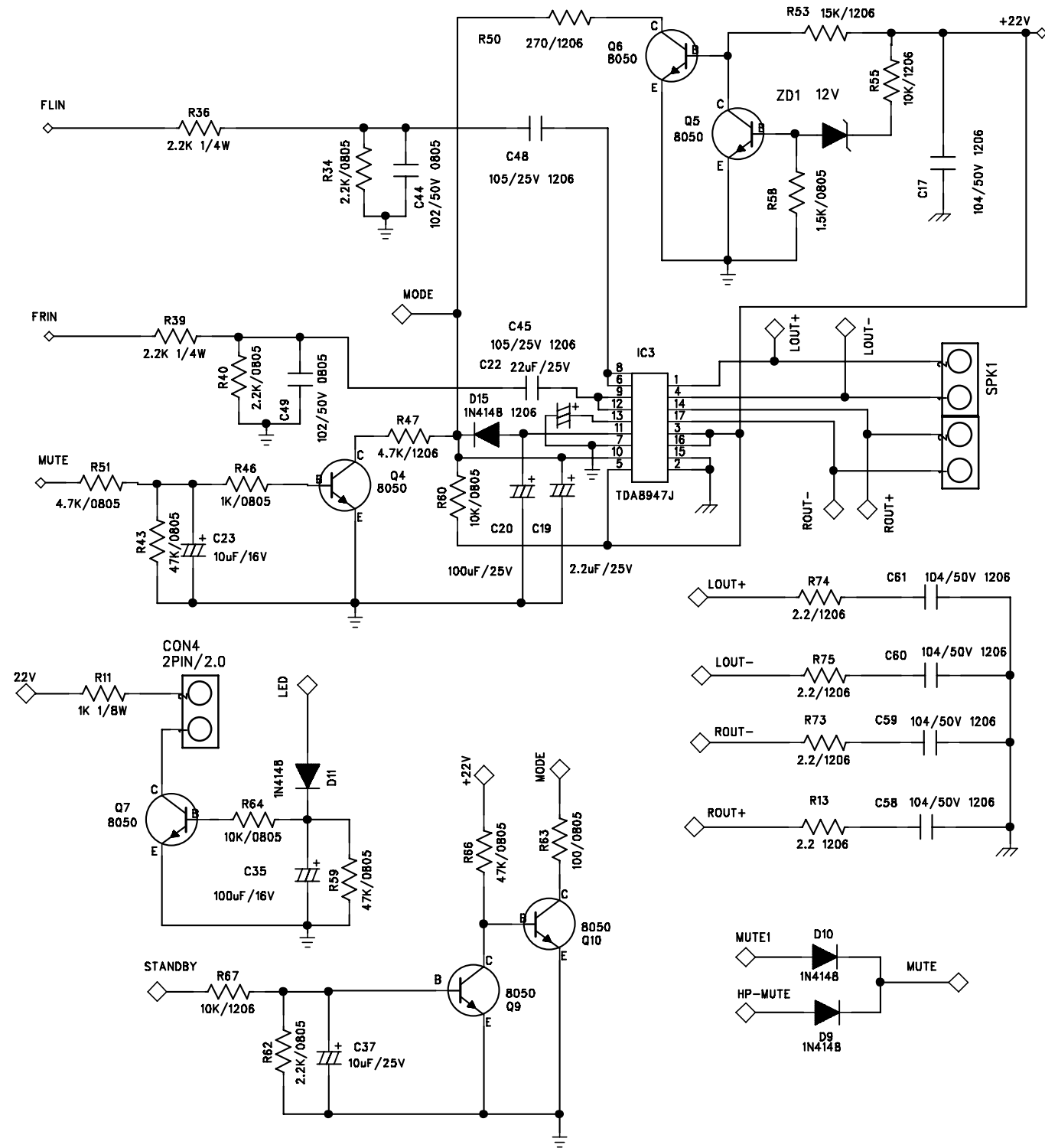
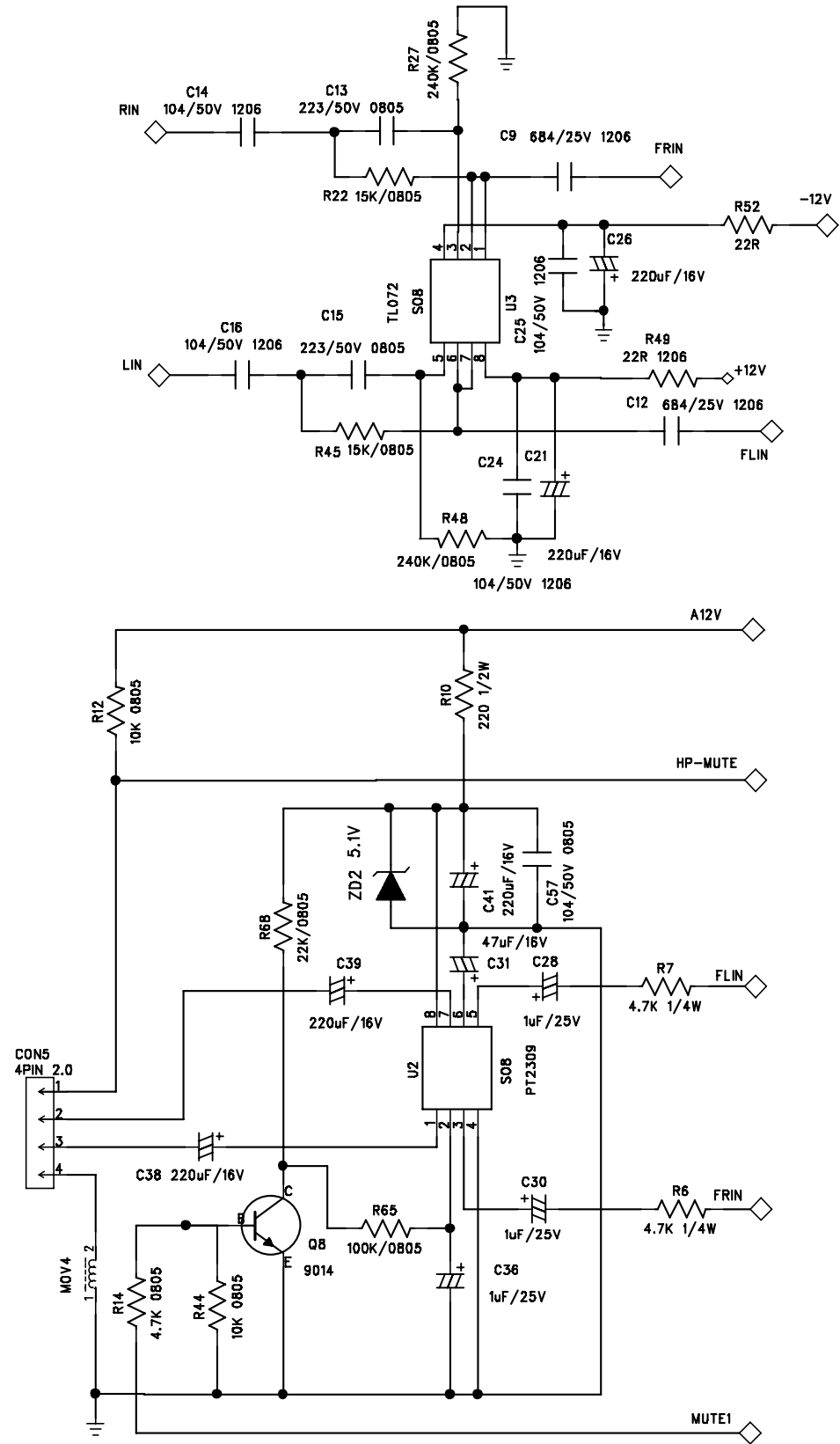
Tuner Board-Layout Diagram



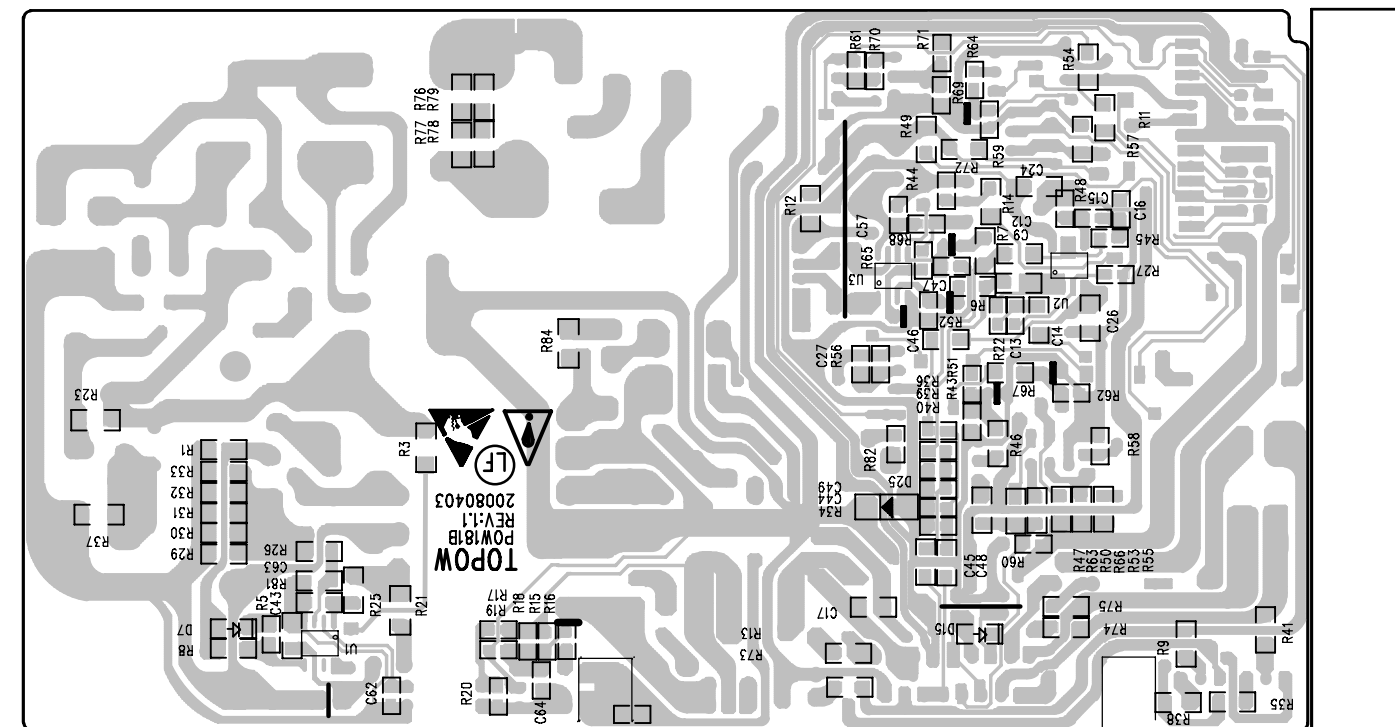
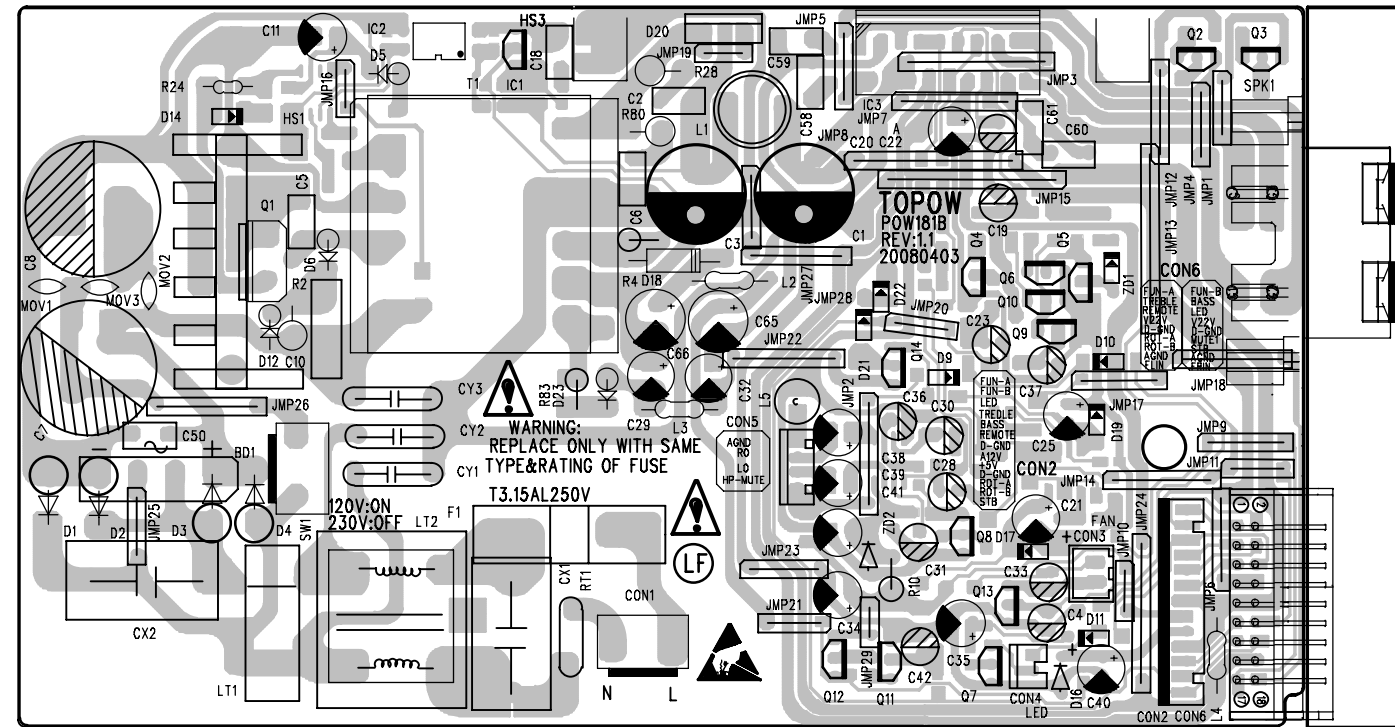
Power Board--Circuit Diagram - part1



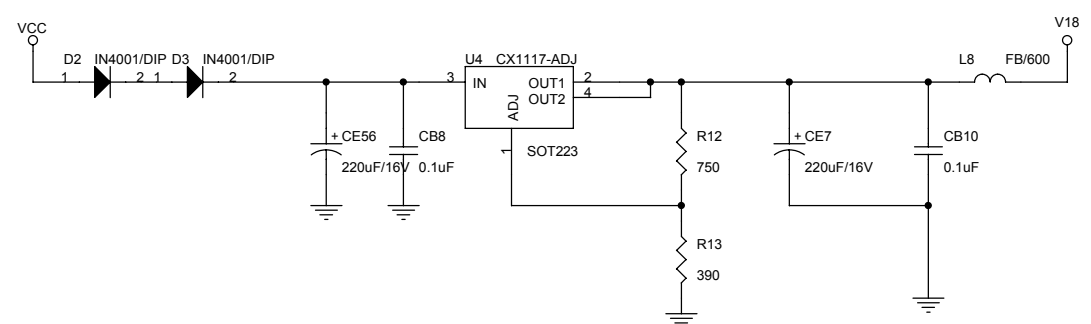
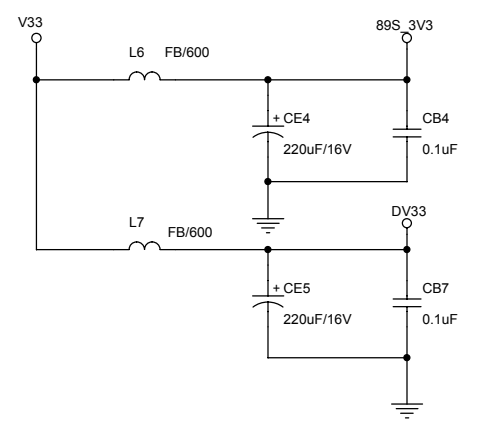
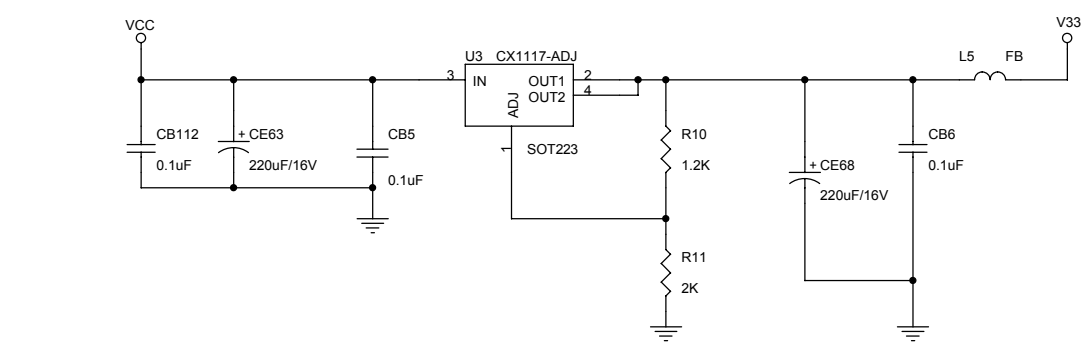
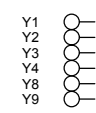
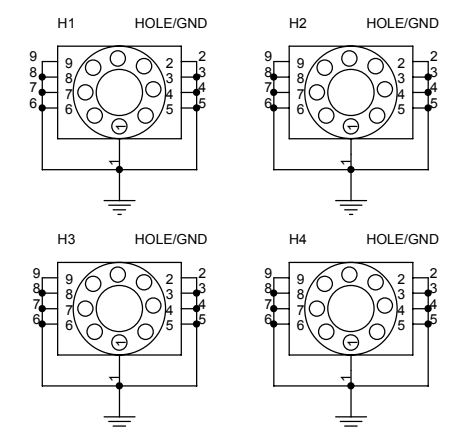
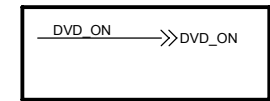
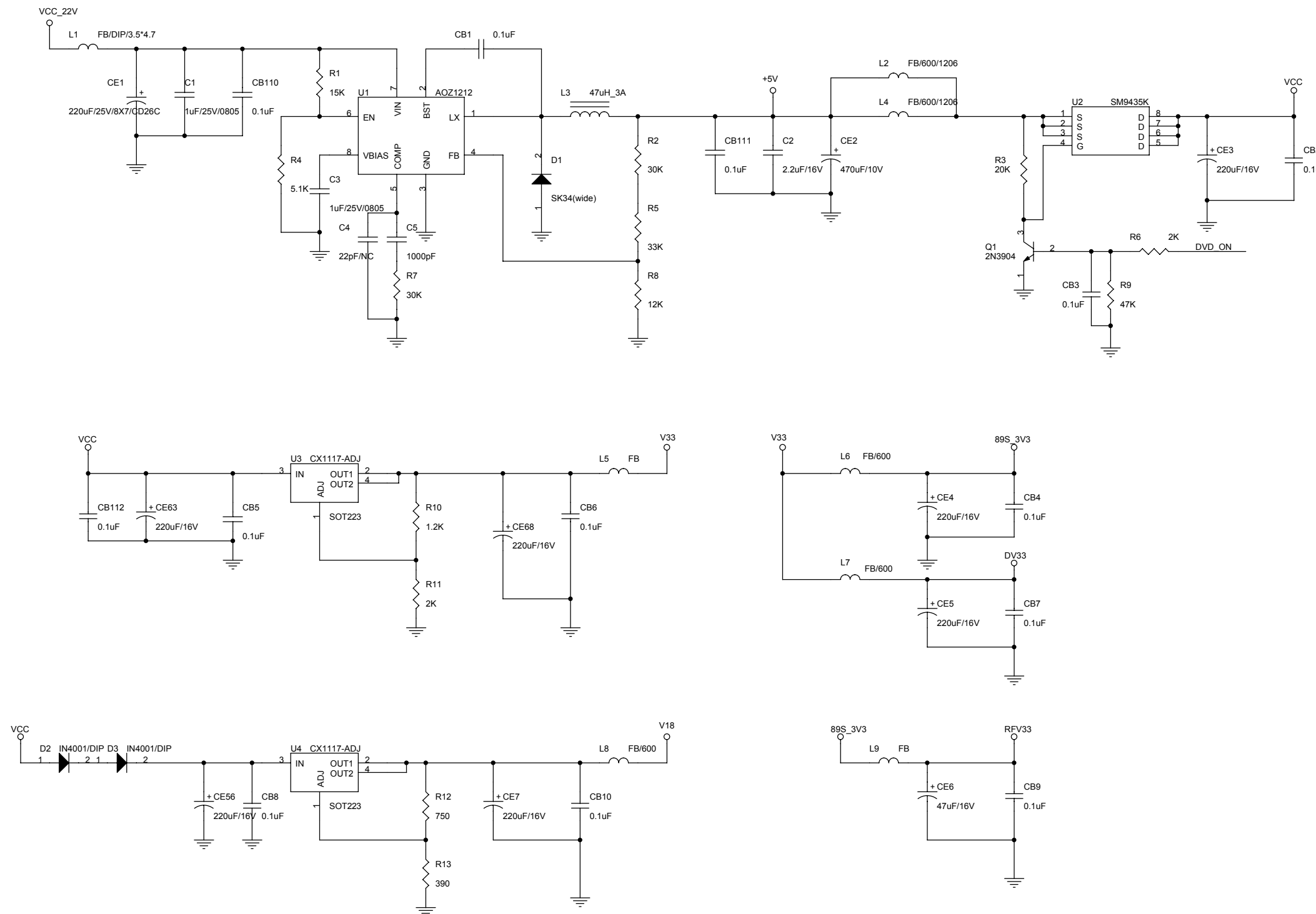
Power Board--Circuit Diagram - part2



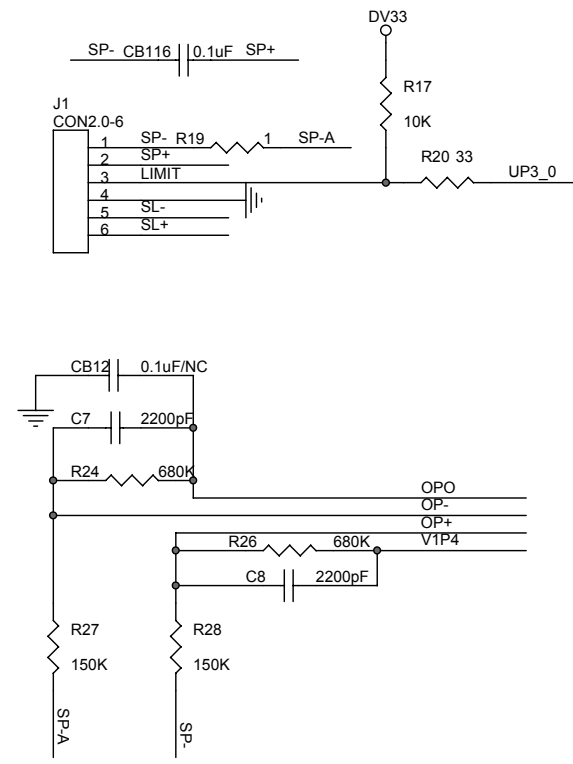
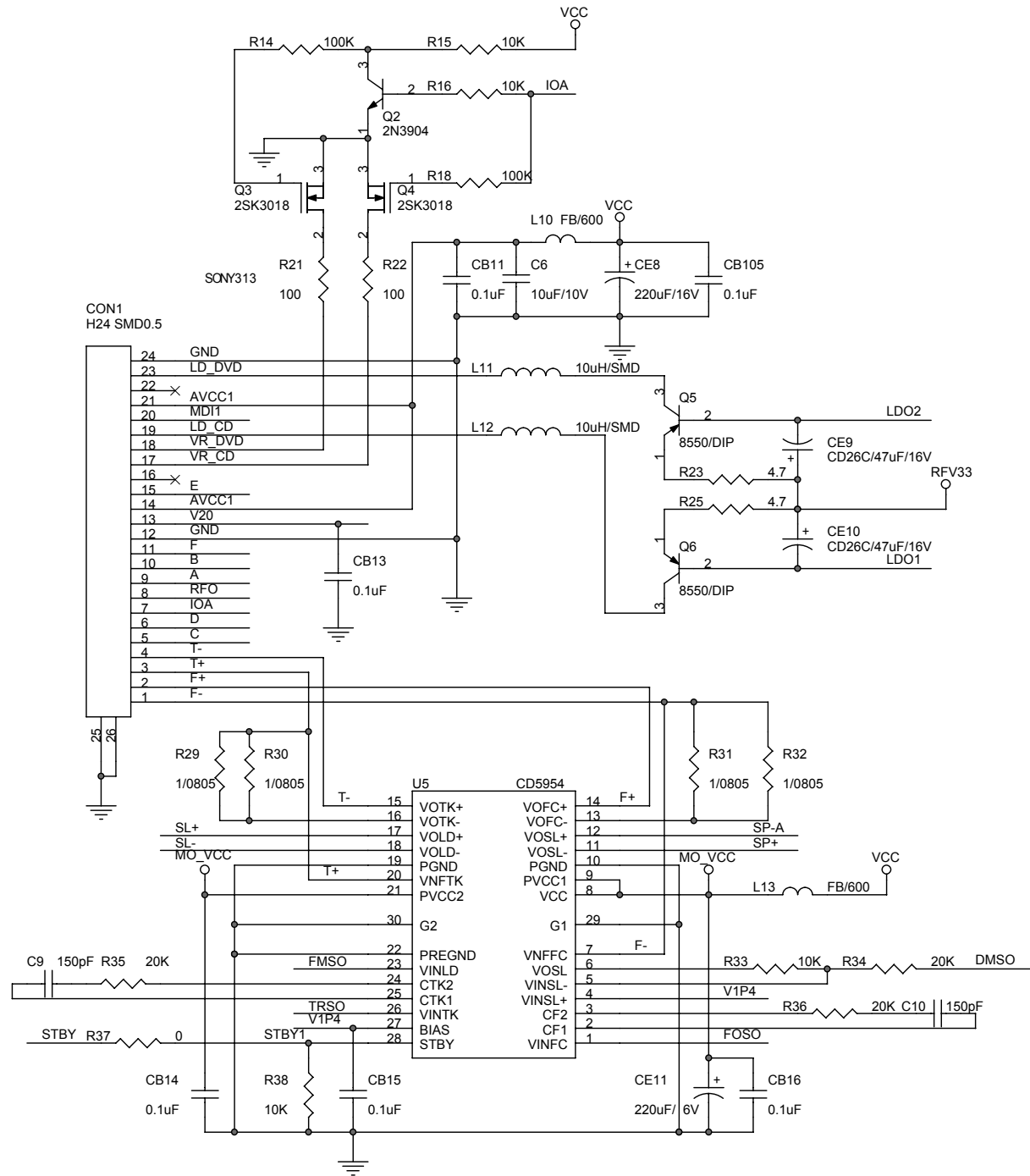
Power Board--Layout Diagram



Decoder Board--Circuit Diagram - part1

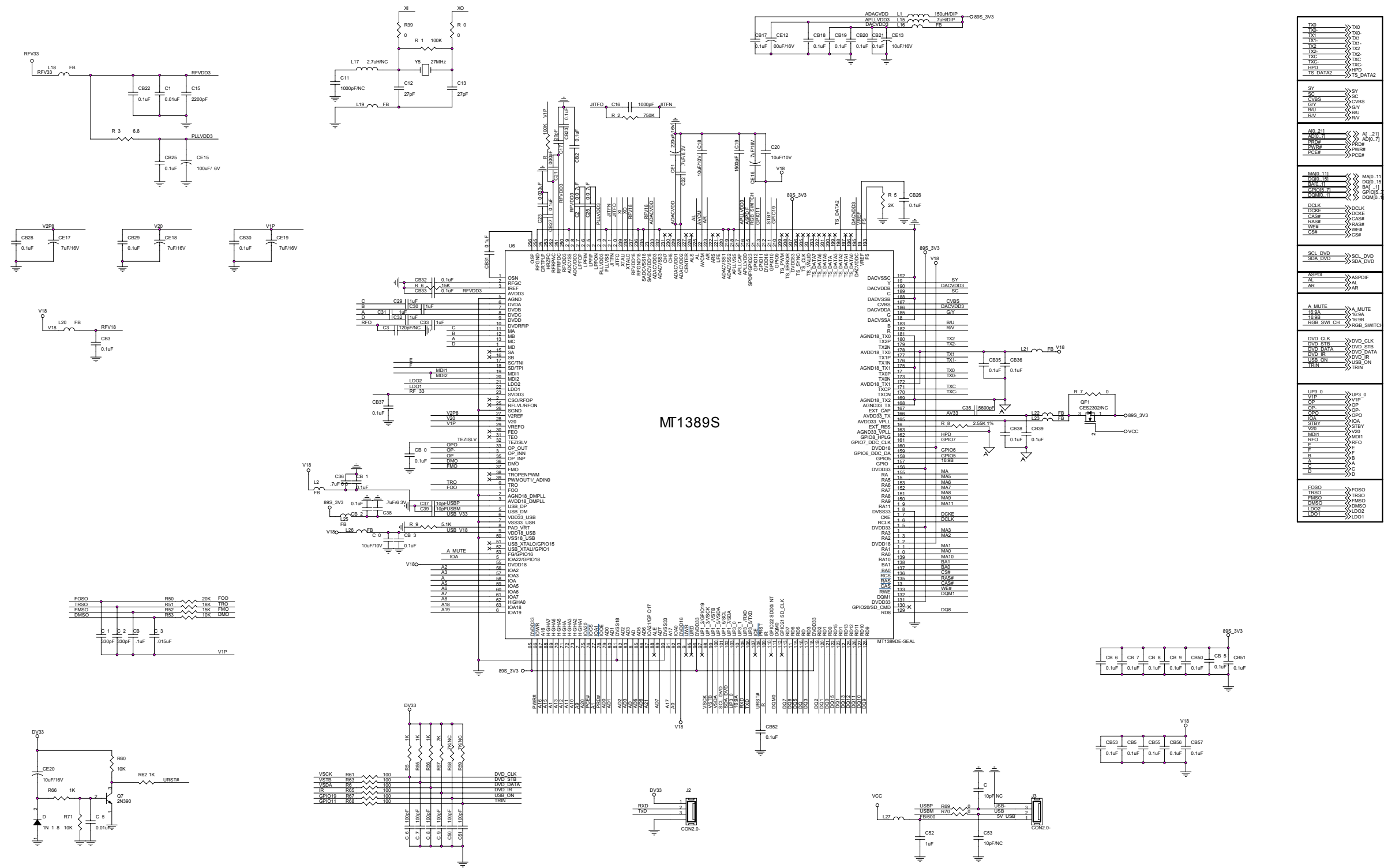


Decoder Board--Circuit Diagram - part2



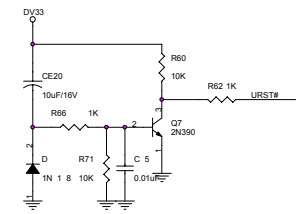
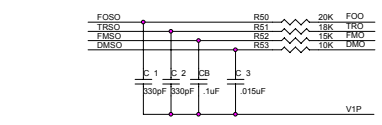
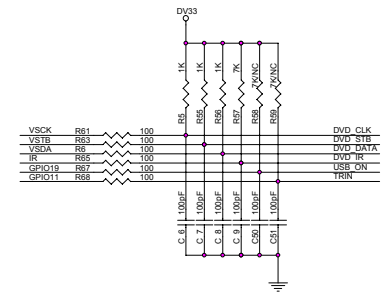
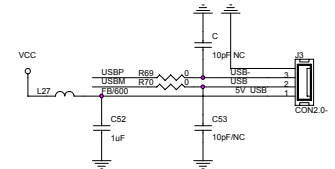
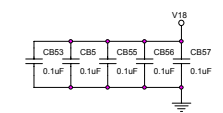
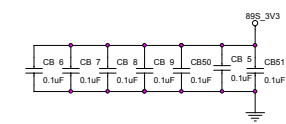
IOA	IOA
LDO2	LDO2
LDO1	LDO1
MDI1	MDI1
E	E
V20	V20
F	F
B	B
A	A
RFO	RFO
D	D
C	C
FMSO	FMSO
TRSO	TRSO
STBY	STBY
FOSO	FOSO
DMSO	DMSO
UP3_0	UP3_0
OPO	OPO
OP-	OP-
OP+	OP+
V1P4	V1P4

Decoder Board--Circuit Diagram - part3

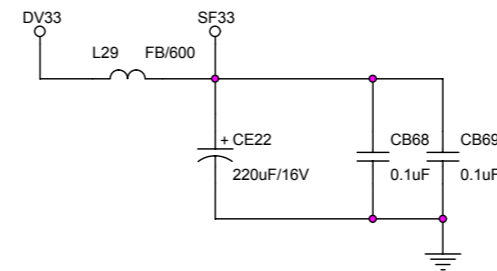
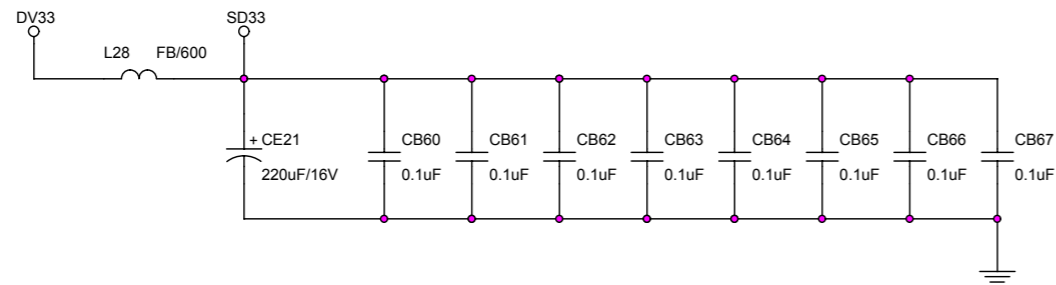
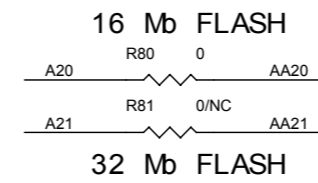
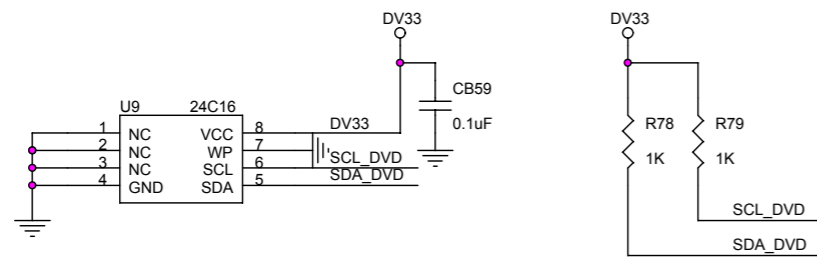
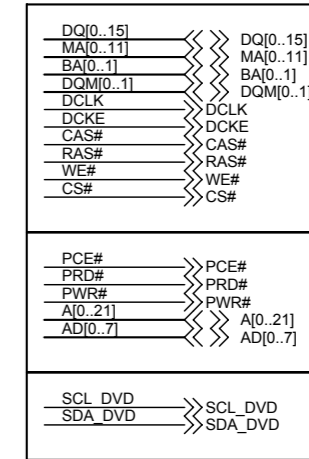
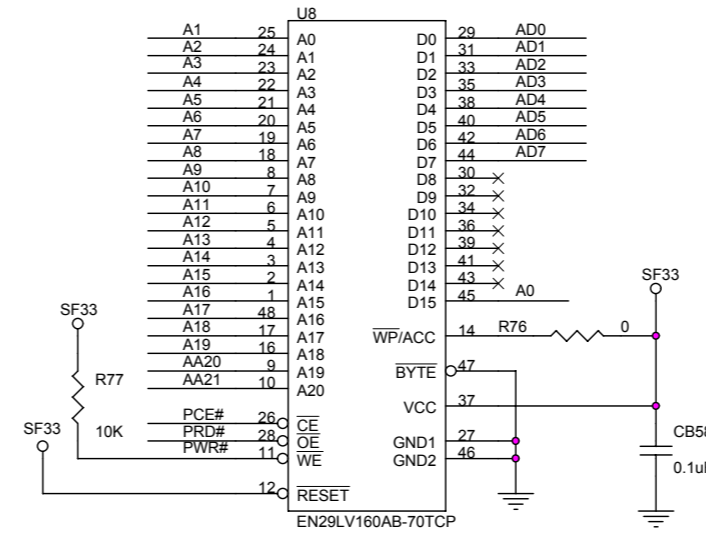
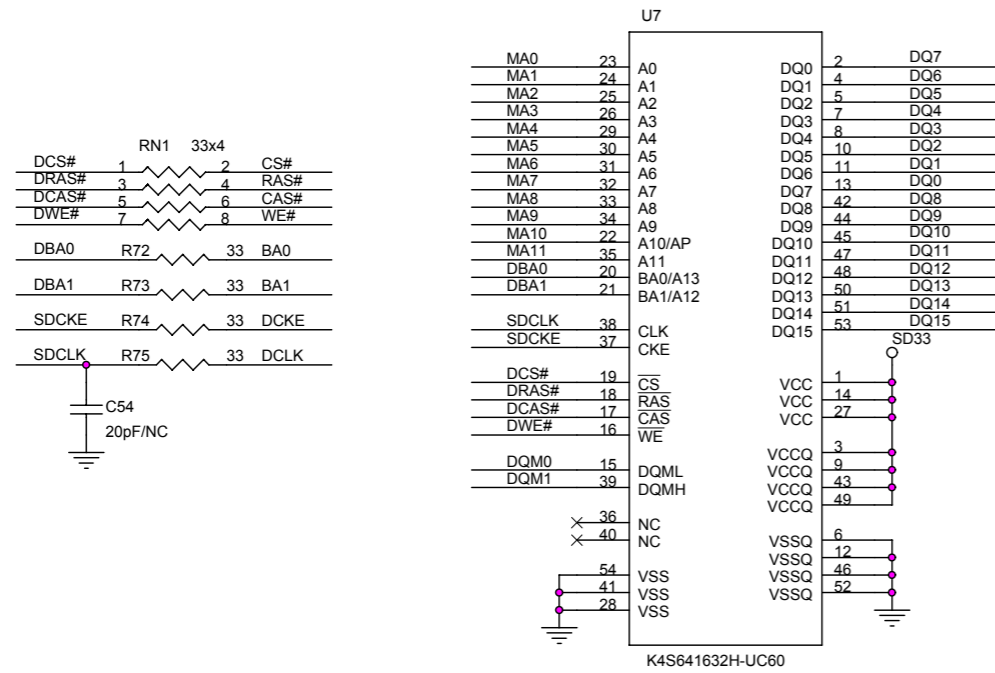


MT1389S

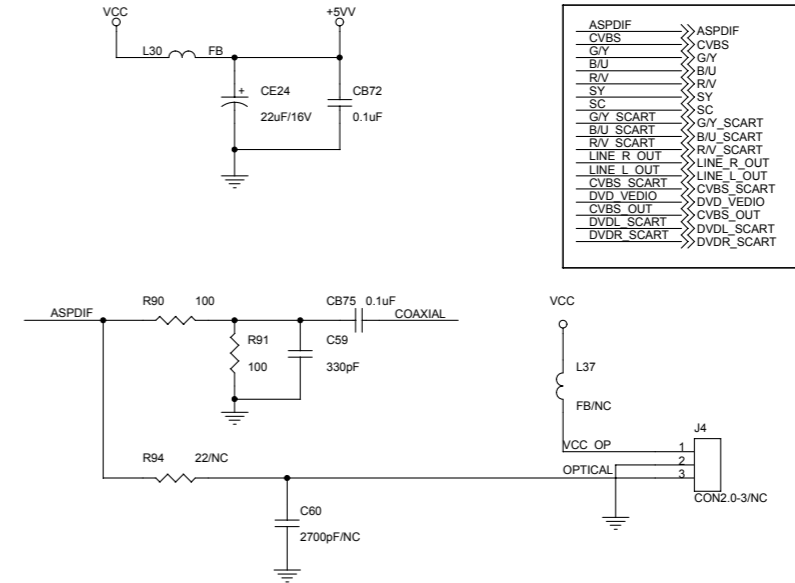
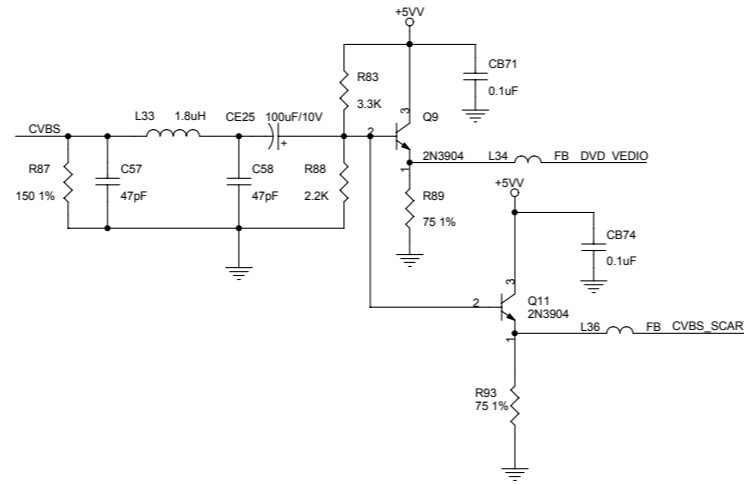
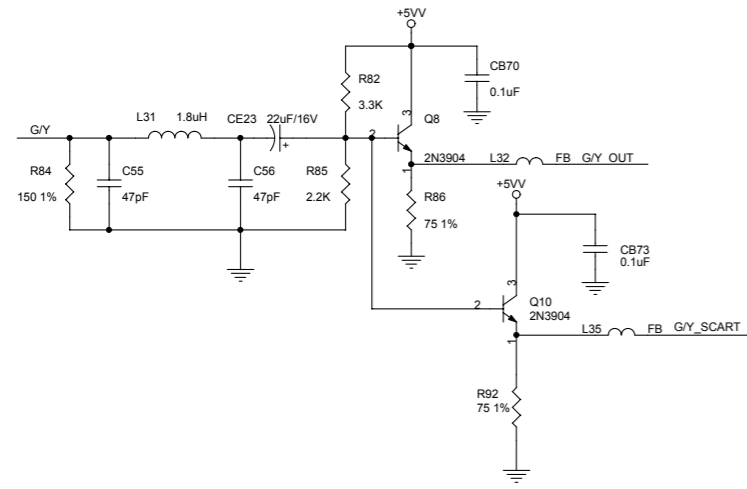
TX0	TX0
TX1	TX0
TX1	TX1
TX2	TX1
TX2	TX2
TXC	TXC
TXC	TXC
TS_DATA1	TS_DATA1
TS_DATA2	TS_DATA2
SY	SY
SC	SC
CVBS	CVBS
BU	BU
RV	RV
AI_21	AI_21
AD0_7	AD0_7
PWR#	PWR#
PCE#	PCE#
MA0_15	MA0_15
DQ0_15	DQ0_15
GPIO0_7	GPIO0_7
DGM[0]	DGM[0]
DCLK	DCLK
DCKE	DCKE
CAS#	CAS#
RAS#	RAS#
WE#	WE#
CS#	CS#
SCL_DVD	SCL_DVD
SDA_DVD	SDA_DVD
ASPD#	ASPD#
AL	AL
AR	AR
A_MUTE	A_MUTE
TS0	TS0
TS1	TS1
TS2	TS2
RGB_SWI_CH	RGB_SWI_CH
DVD_CLK	DVD_CLK
DVD_STB	DVD_STB
DVD_DATA	DVD_DATA
DVD_IR	DVD_IR
USB_ON	USB_ON
TRIN	TRIN
UP3_0	UP3_0
VIP	VIP
OP	OP
OP_	OP_
OP0	OP0
ICA	ICA
STBY	STBY
V2D	V2D
MEX1	MEX1
RFO	RFO
F	F
B	B
C	C
A	A
D	D
F0S0	F0S0
TRSO	TRSO
FMS0	FMS0
DMSO	DMSO
LD02	LD02
LD01	LD01



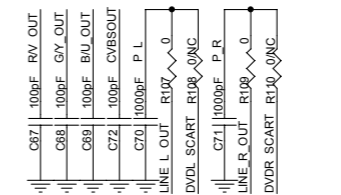
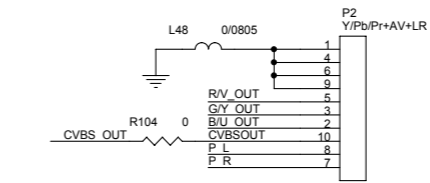
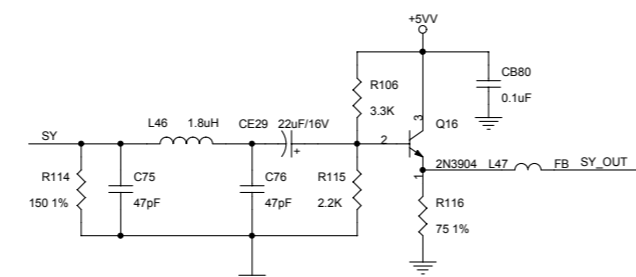
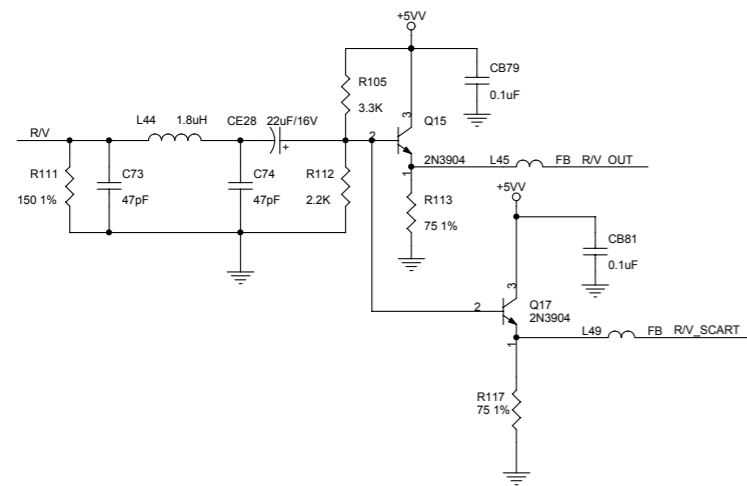
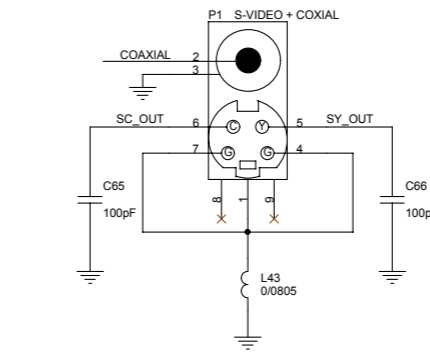
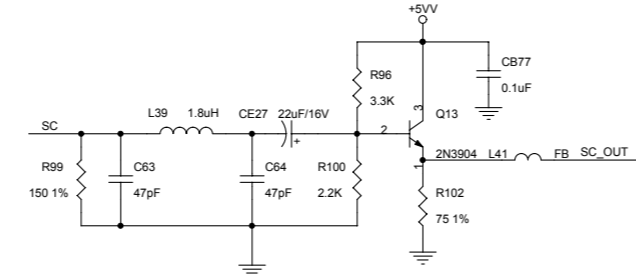
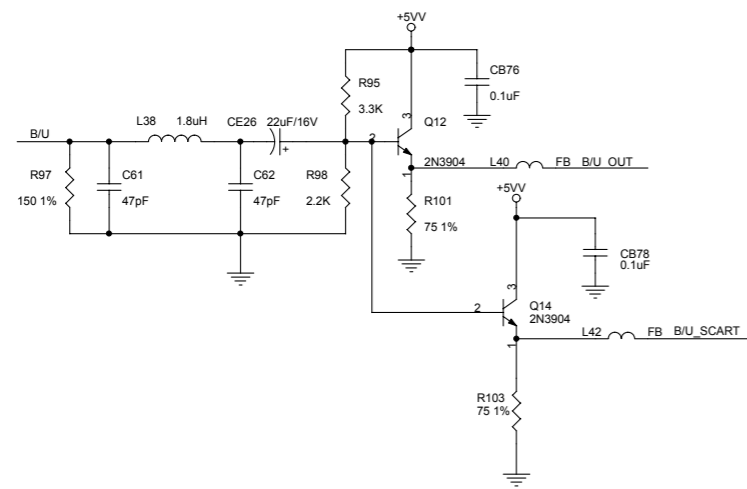
Decoder Board--Circuit Diagram - part4



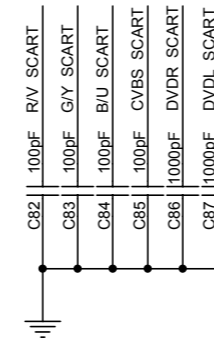
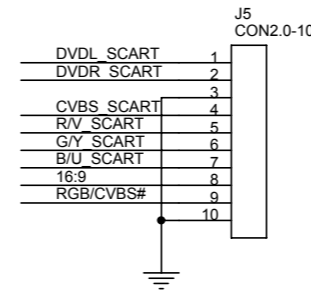
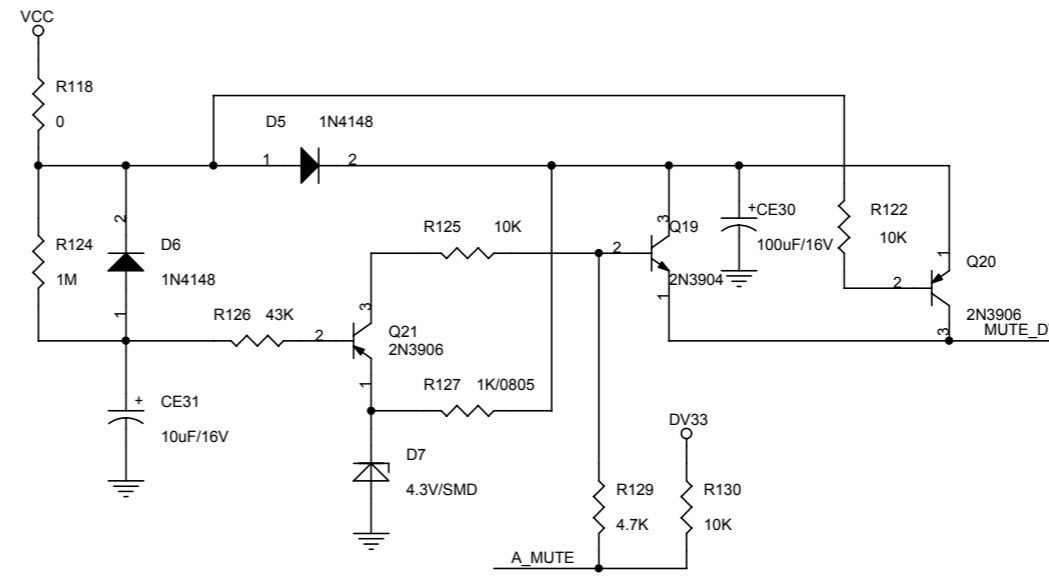
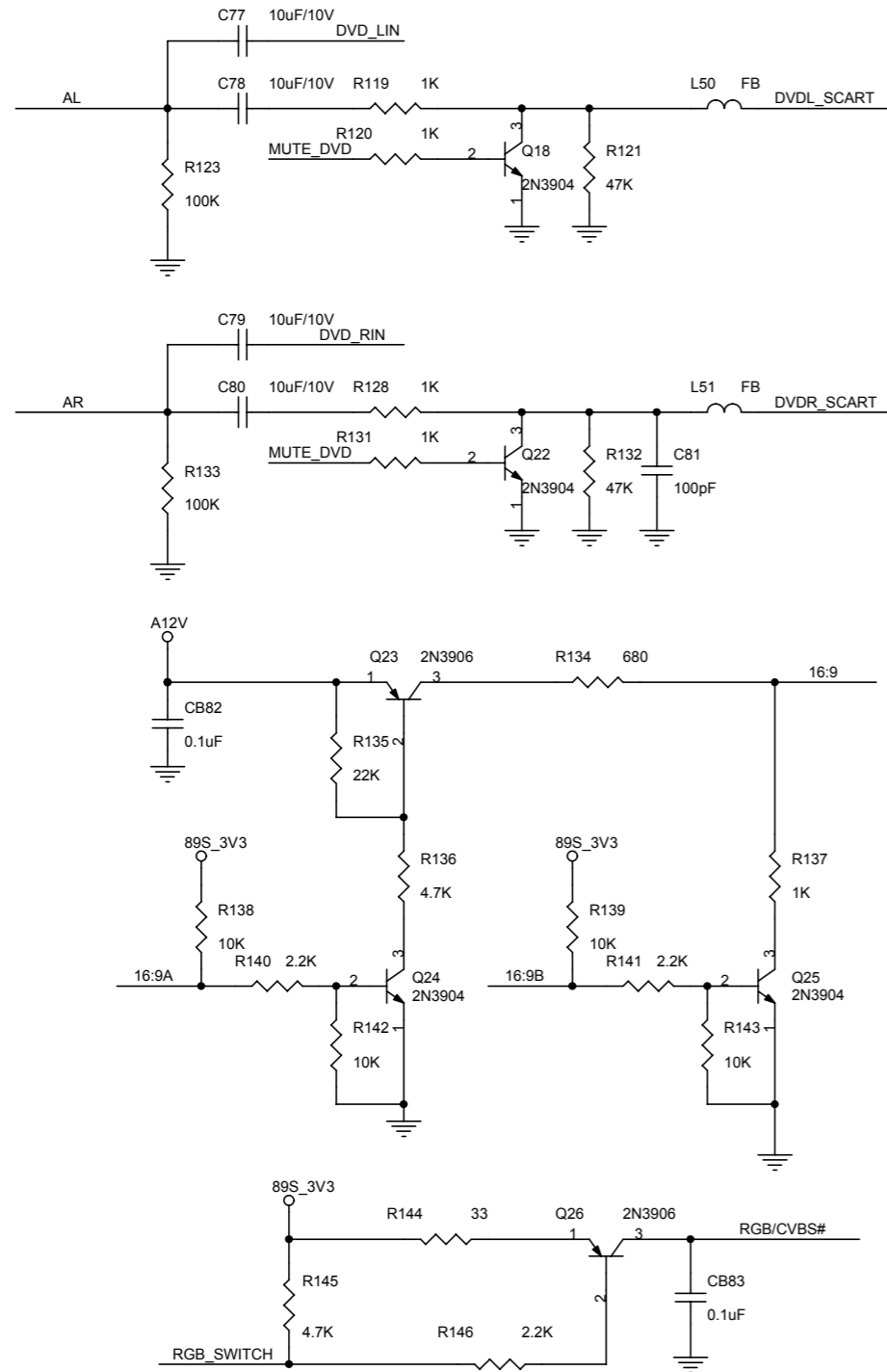
Decoder Board--Circuit Diagram - part5



ASPDIF	>>>	ASPDIF
CVBS	>>>	CVBS
G/Y	>>>	G/Y
B/U	>>>	B/U
R/V	>>>	R/V
SY	>>>	SY
SC	>>>	SC
G/Y SCART	>>>	G/Y SCART
B/U SCART	>>>	B/U SCART
R/V SCART	>>>	R/V SCART
LINE R OUT	>>>	LINE_R_OUT
LINE L OUT	>>>	LINE_L_OUT
CVBS SCART	>>>	CVBS_SCART
DVD VEDIO	>>>	DVD_VEDIO
CVBS_OUT	>>>	CVBS_OUT
DVDR SCART	>>>	DVDR_SCART
DVDR SCART	>>>	DVDR_SCART

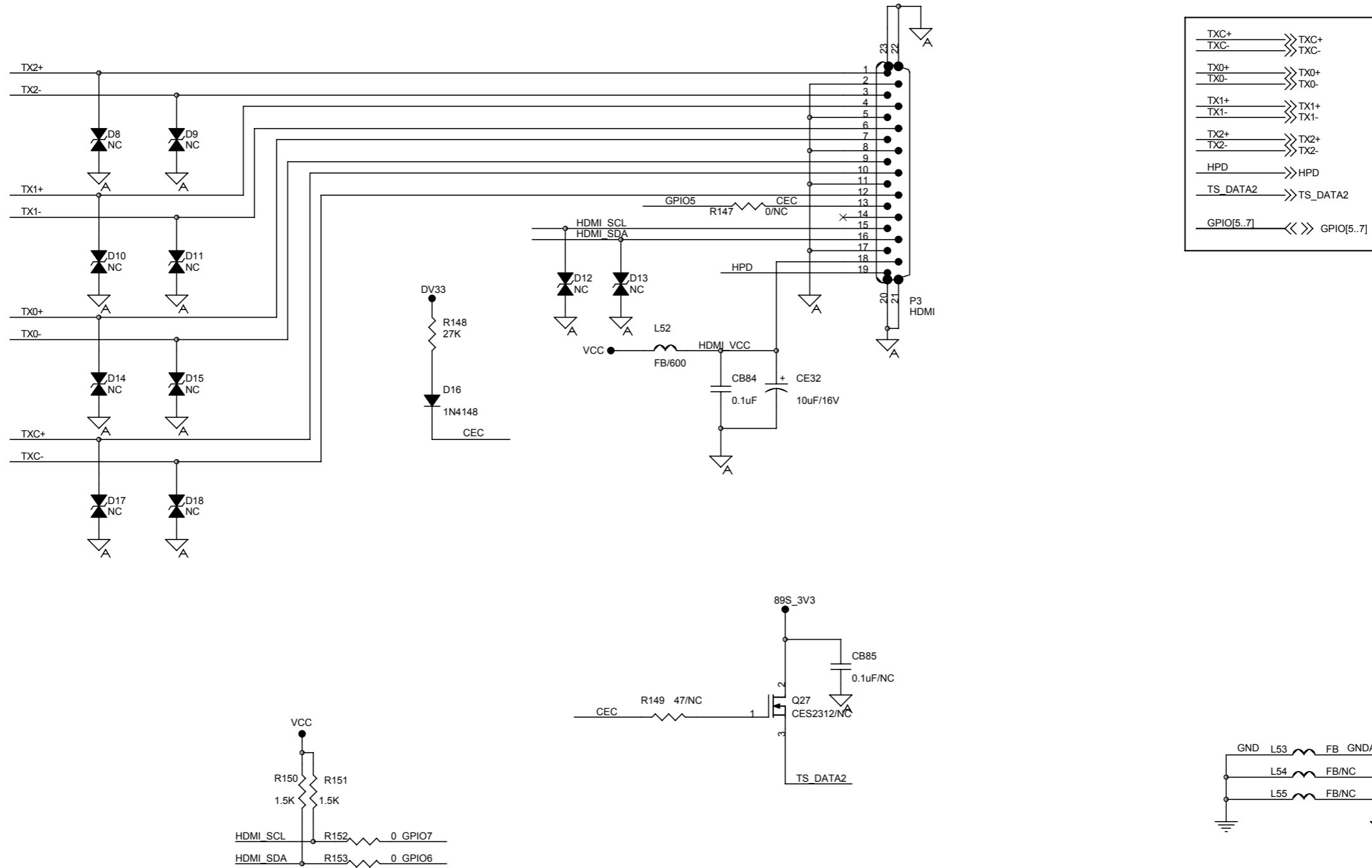


Decoder Board--Circuit Diagram - part6

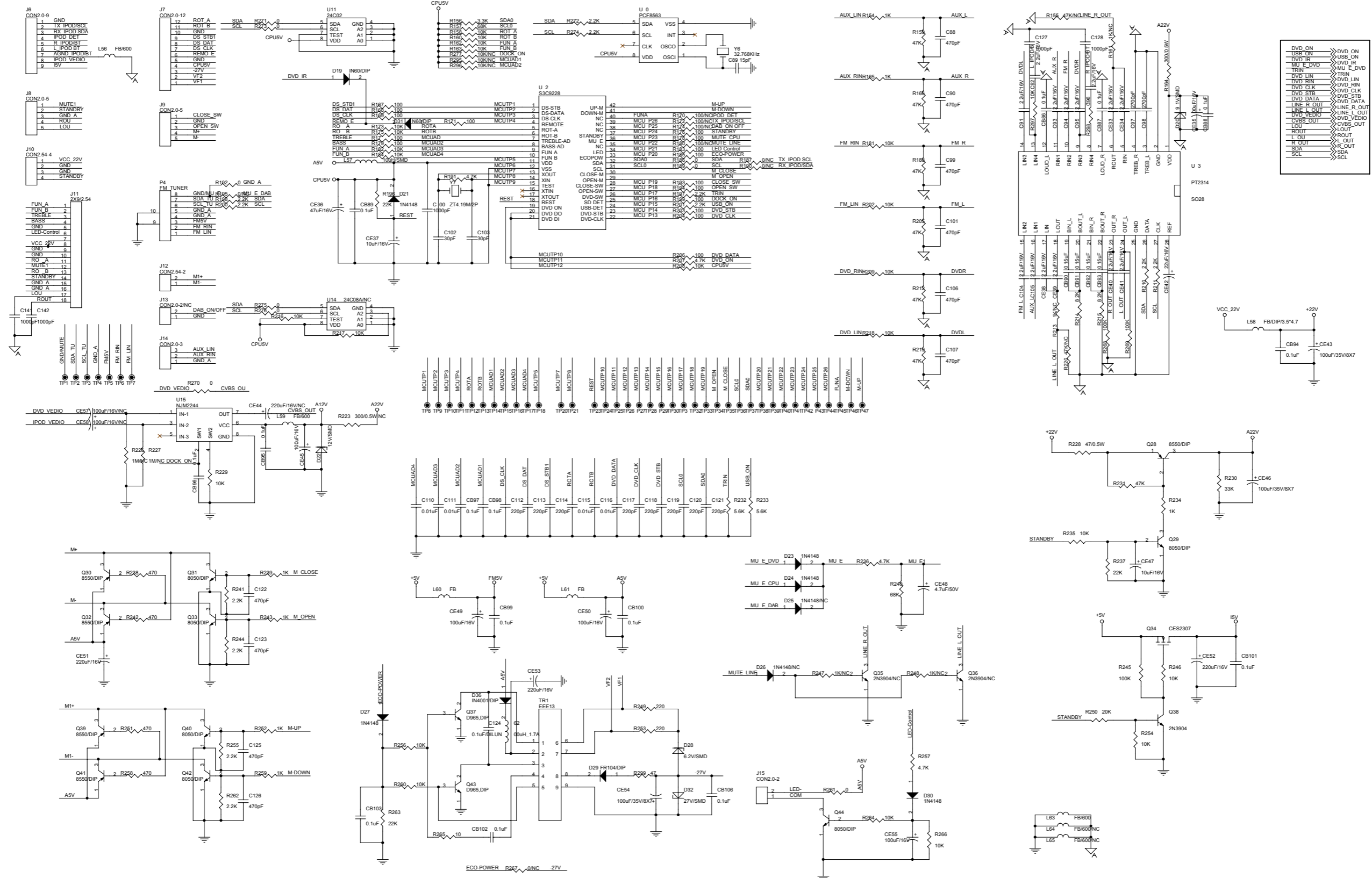


A_MUTE	>>>	A_MUTE
AL	>>>	AL
AR	>>>	AR
16:9A	>>>	16:9A
16:9B	>>>	16:9B
RGB_SWITCH	>>>	RGB_SWITCH
DVD_LIN	>>>	DVD_LIN
DVD_RIN	>>>	DVD_RIN
MUTE_DVD	>>>	MUTE_DVD
CVBS_SCART	>>>	CVBS_SCART
G/Y_SCART	>>>	G/Y_SCART
B/U_SCART	>>>	B/U_SCART
R/V_SCART	>>>	R/V_SCART
DVDR_SCART	>>>	DVDR_SCART
DVDR_SCART	>>>	DVDR_SCART

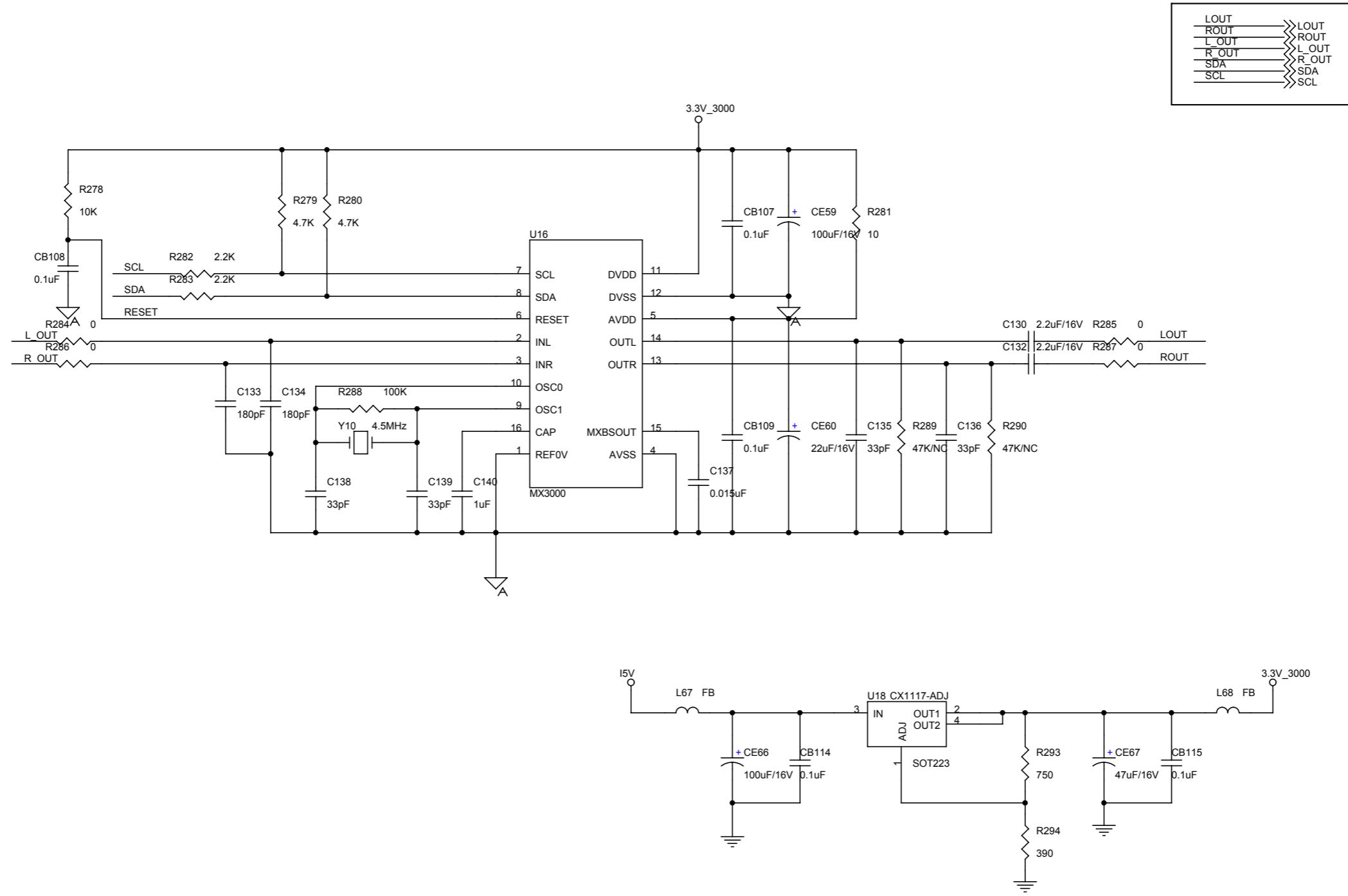
Decoder Board--Circuit Diagram - part7



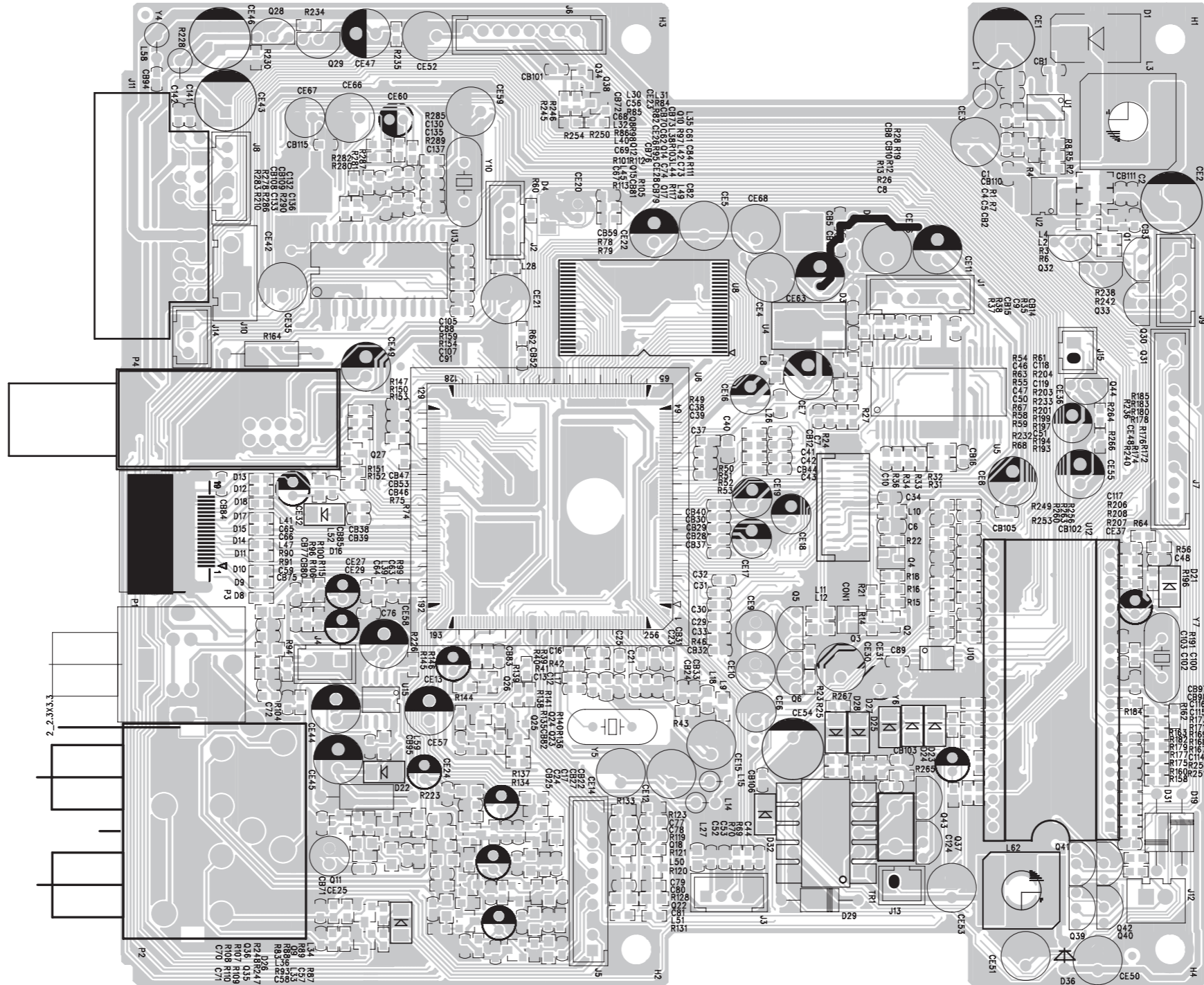
Decoder Board--Circuit Diagram - part8



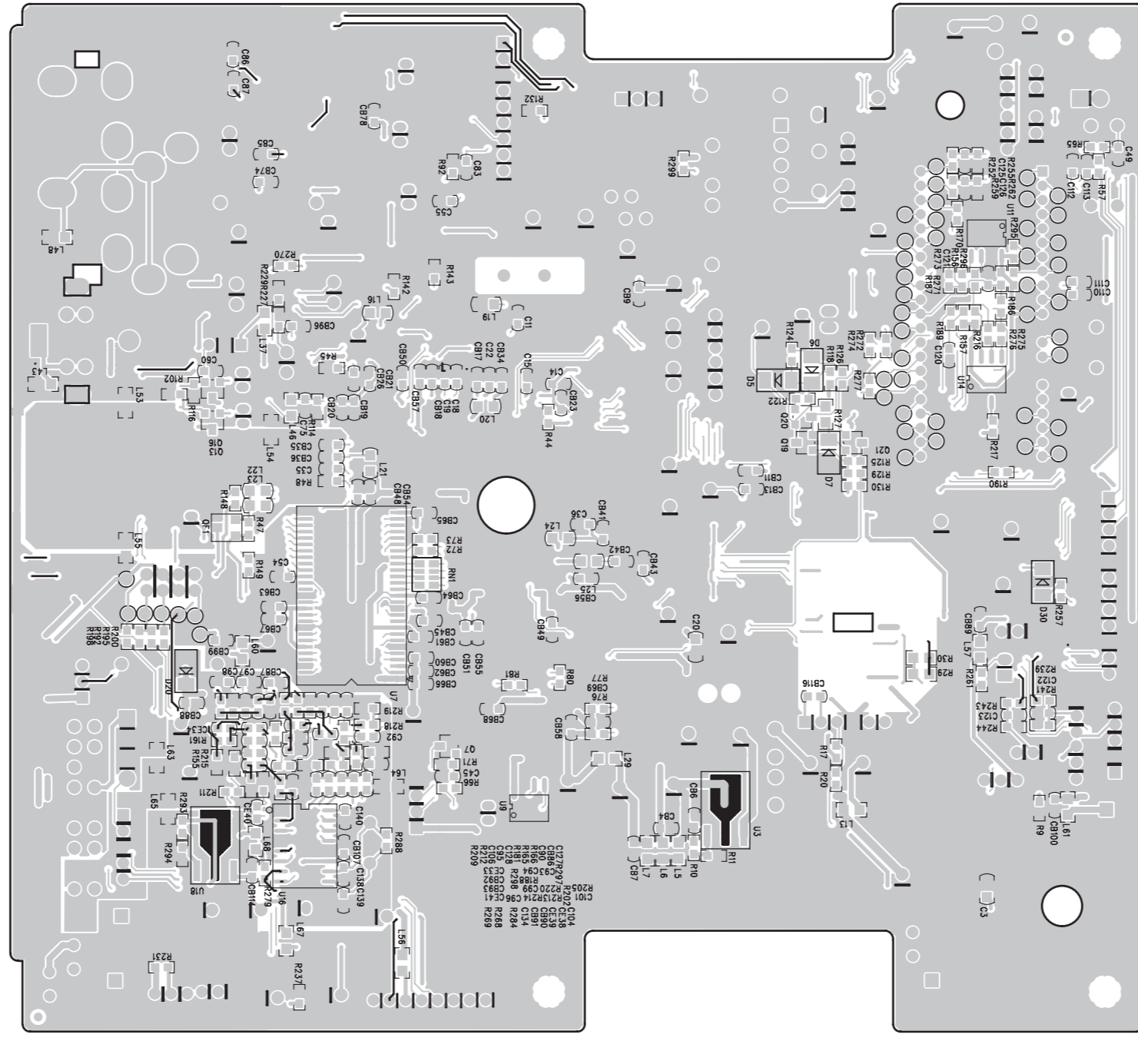
Decoder Board--Circuit Diagram - part9



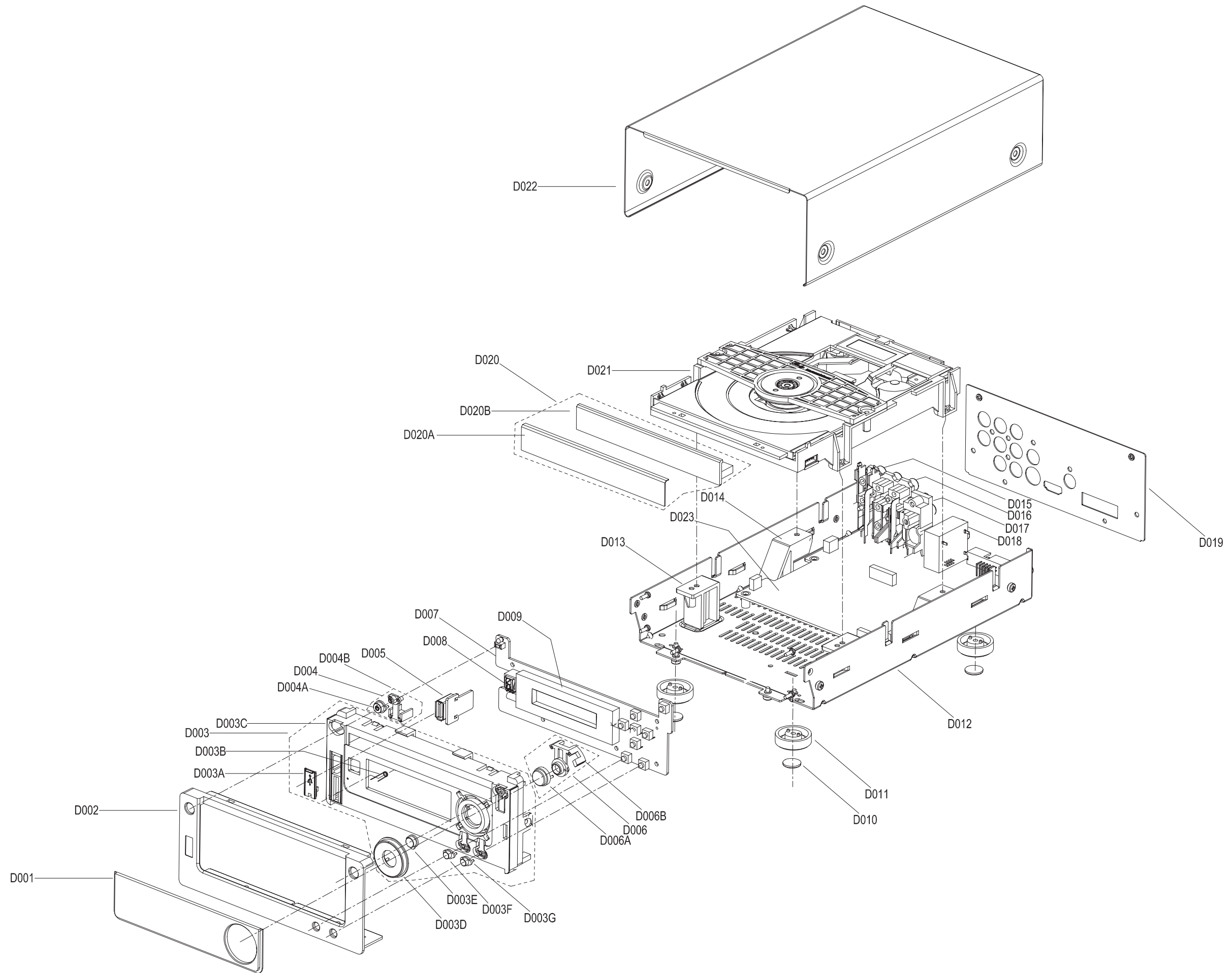
Decoder Board--Layout Diagram - top view



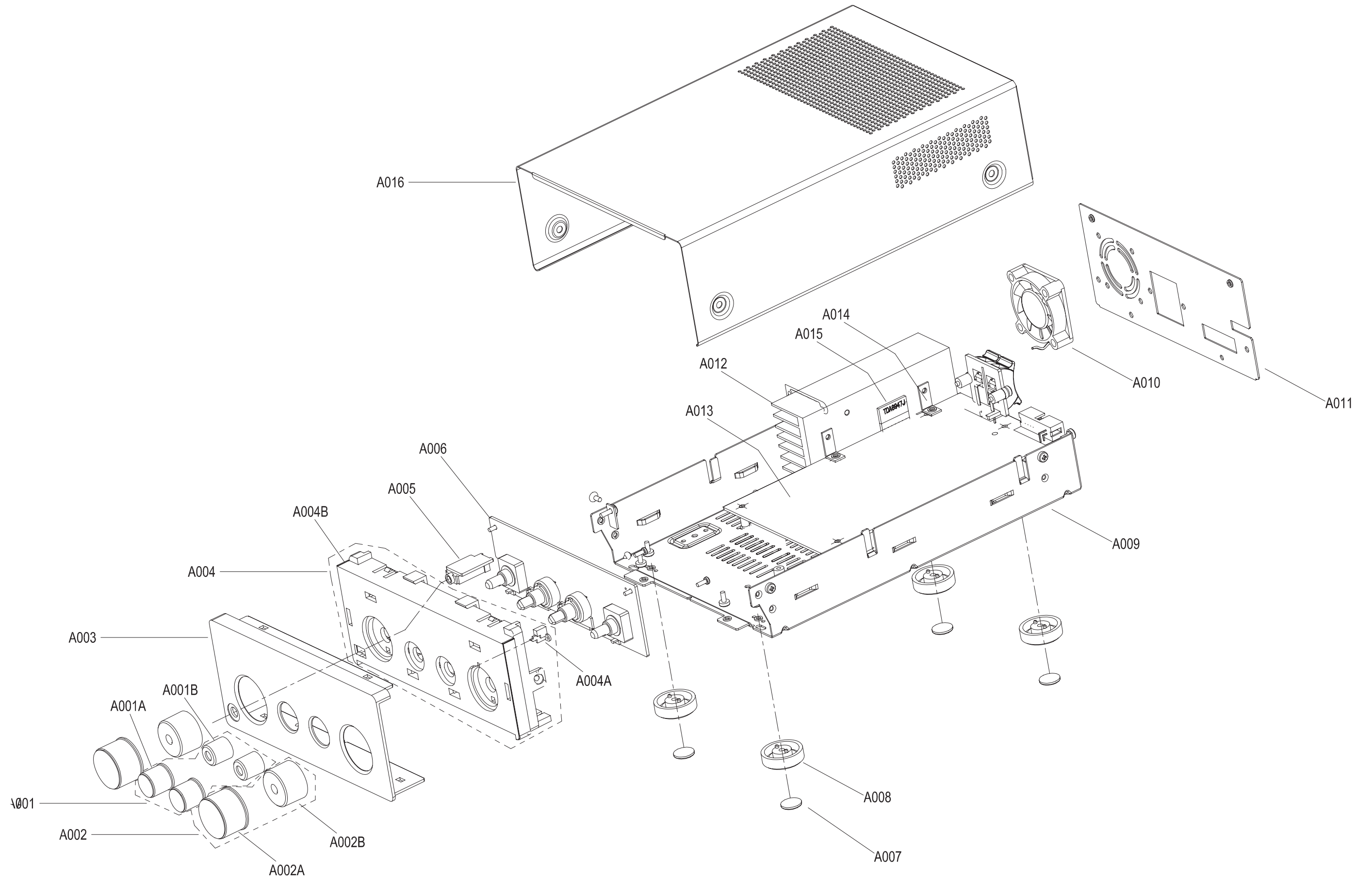
Decoder Board--Layout Diagram - bottom view



Explode View-DVD Part



Explode View-AMP Part



ACCESSORIES PARTS LIST

1A	994000004988	AC LINE CORD 1.8M(/73)
3A	996510013407	WIRE 250 2.5/18PX2(/73)
1B	994000005078	AUDIO SINGLE WIRE W/RCA 1.5M
1C	996500041018	FM ANTENNA WIRE 1.5m
2	996510015419	SPEAKER BOX ASSY(L)
3	996510015420	SPEAKER BOX ASSY
4	996510015421	MAIN BRACKET ASSY
5	996510013528	REMOTE CONTROL ASSY

MECHNICAL&MISCELLANEOUS PARTS - AMP UNIT

10	994000005165	AC SOCKET 1A/250V(/73)
A1	996510015418	POWER CORD 1.95m(/93)
A001	996510015415	DISCRETION KNOB PARTS
A002	996510015414	VOLUME KNOB PARTS
A004	996510015416	AMP PLASTIC CABINET ASSY
A008	996510015779	PLASTIC FOOT(/73)
A010	996500041003	MINI FAN RDM4010S DC12V/0.07A(/73)
A010	996510013527	MINI FAN DC12V/0.07A(/93)
A013	996510019991	POWER BOARD ASSY POW181B-12 (/73)
A013	996510015417	POWER BOARD ASSY POW181B
A005	996510015413	HEADPHONE BOARD ASSY
A006	996510015412	VOLUME BOARD ASSY

MECHNICAL&MISCELLANEOUS PARTS - DVD UNIT

D001	996510015410	DVD DISPLAY LENS
D003	996510015408	DVD PLASTIC CABINET ASSY
D003A	996510015411	USB DOOR ABS SILVER(/93)
D003A	996510019440	MCD770 USB DOOR(ABS)(/73)
D004	996510015406	STANDBY BUTTON PARTS
D006	996510015407	CENTER BUTTON ASSY
D010	996520033990	RUBBER PAD
D013	996510019441	MCD770 DVD MECHANISM BRACKET-1
D014	996510019442	MCD770 DVD MECHANISM BRACKET-2
D020	996510015409	DVD DOOR ASSY
DVD1	996510000256	FLAT FLEX CABLE 24PX120X0.5XA
D005	996510015402	USB BOARD ASSY
D015	996510015403	AUX BOARD ASSY
D021	996510029271	SONY313AAD-T LOADER MECHANISM
D023	996510019439	MCD772/73 DECODER+MCU PARTS(/73)
D023	996510015405	DECODER ASSY(/93)
DIP42	996510015404	MCU PARTS ASSY(/93)
D024	996510019438	MCD772/906 M-BOY BOARD ASSY(/73)
D018	996510007819	TUNER BOARD PCB ASSY ECO6-05(/93)
D007	996510015401	DISPLAY BOARD ASSY(/93)

ELECTRONIC PARTS - DISPLAY BOARD(/73)

D008	996510018444	MCD770 IR RECEIVER BRACKET
IC101	996510000500	IC PT6311/SC16311/CD16311
LED101	994000004948	LED LAMP(BLUE) /12
S101	994000004961	IR SENSOR BLACK
SW101	996520033923	TACT SWITCH TS-1307-01 6X6X5
SW102	996520033926	TACT SWITCH HCT-1106W 6X3X4.3
SW103	996520033923	TACT SWITCH TS-1307-01 6X6X5
SW104	996520033923	TACT SWITCH TS-1307-01 6X6X5
SW105	996520033923	TACT SWITCH TS-1307-01 6X6X5
SW106	996520033923	TACT SWITCH TS-1307-01 6X6X5
SW107	996520033923	TACT SWITCH TS-1307-01 6X6X5
SW108	996520033923	TACT SWITCH TS-1307-01 6X6X5
SW109	996520033923	TACT SWITCH TS-1307-01 6X6X5
VFD101	996520033924	VFD DISPLAY NE-770D-1.GB

Note: Only these parts mentioned in the list are normal service parts.

Factory Partlist--AMP Parts

A006	MCD772 VOLUME BOARD ASS'Y
R203	CARBON FILM RESISTOR 10K 1/8W J-52
R204	CARBON FILM RESISTOR 10K 1/8W J-52
R201	CARBON FILM RESISTOR 4.7K 1/8W J-52
R202	CARBON FILM RESISTOR 4.7K 1/8W J-52
R205	CARBON FILM RESISTOR 680 1/8W J-52
C201	CERAMIC CAP.103P 50V K-5
C202	CERAMIC CAP.103P 50V K-5
C203	CERAMIC CAP.103P 50V K-5
C204	CERAMIC CAP.103P 50V K-5
C205	CERAMIC CAP. 104P 50V K-5
C206	CERAMIC CAP. 104P 50V K-5
C207	ELECTROLYTIC CAP.100u 16V L-5 105°C 6.3X
L201	AXIAL FIXED INDUCTOR 10u 52
D201	DIODE 4148-52
LED201	LED 2X3X4 23004BCH09-357
Q201	TRANSISTOR 8050C-5
ENCODER201	CODER(ED-1612-00-F15 40-80G)
ENCODER202	CODER R161EC-D1-15F-12CC
RV201	RESISTOR 100KB RV161NH-B100K-15F-CC-F
RV202	RESISTOR 100KB RV161NH-B100K-15F-CC-F
	VOLUME PCB 35-MCD772-02A1
JP119	BARE WIRE Φ 0.6X40mm (375m=1kG)
JP120	BARE WIRE Φ 0.6X40mm (375m=1kG)
	28WIRE CABLE 240 2.0/13PX1 2.0/11PX1
A005	MCD772 HEADPHONE BOARD ASS'Y
J401	HEADPHONE JACK Φ 3.5 TE-03501S-11
	HEADPHONE PCB 35-MCD772-04A1
	26SHIELDING 320 2.0/4PX1 2.0/4PX1
A002	MCD770 VOLUME KNOB PARTS
A002A	MCD770 VOLUME KNOB COVER(SILVER)
A002B	MCD770 VOLUME KNOB CORE(ABS)
A001	MCD772 VOLUME FUNCTION KNOB PARTS
A001A	MCD772 VOLUME FUNCTION KNOB COVER
A001B	MCD772 VOLUME FUNCTION KNOB CORE
A004	MCD772 AMP PLASTIC CABINET ASS'Y
A004B	MCD772 AMP PLASTIC CABINET
A004A	MCD772 VOLUME KNOB LIGHT-GUIT PMMA
	MCD772/93 AMP CASING PARTS ASS'Y
	METAL PLATE 19X7X1 Φ 3
	SCUTCHEON PHILIPS 22X4.3
A003	MCD772 AMP ALUMINUM PANEL SILVER
A016	MCD770 DVD ALUMINUM TOP COVER
	MCD772 AMP MATAL PLATE 109X82X3
A009	MCD770 AMP METAL BOTTOM CHASSIS
A011	MCD772 AMP BACK METAL PLATE
A008	MCD770 PLASTIC FOOT(HIPS)
A007	MCD770 RUBBER PAD Φ 12X1.5 RUBBER BLACK
	SCREW 2.6 X 8 PA (PLATING)
	SCREW 3 X 8 BA (PLATING)
	SCREW 3 X 5 FMTT (PLATING)
	SCREW 3 X 5 BM (PLATING)
	SCREW 3 X 5 BMTT (PLATING)
	TORX STTP T-10 3.0X6.0 AB3
	PHILIPS TORX T-10 1.5P 3.0X10.0 AB3
	SCREW 3 X 10 PMTT (PLATING)
	TORX T-10 STTB 3.0X15.0 AB3

Factory Partlist--AMP

CABLE TIE 70
 TORX T-7 STTK 8010 3.0X6.0 NI
 TORX T-10 STTB 3.0X6.0 NI
 ? POWER CORD 2.15m
 MINI FAN RDM4010S DC12V/0.07A

Factory partlist--MCD772/93 SPEAKER BOX

MCD772/93 SPEAKER BOX ASS'Y(L)
 PHILIPS SCUTCHEON 20.3X4.2X1.5 SILVER
 MCD772 GRILLE BRACKET ABS+10%
 NON-POLARITG ELEC.CAP.2.2u 50V M SBP5X11
 SPEAKER TERMINAL DJ-1320-1 44X44 RED/BL.
 22 CONNECTING WIRE 2P 150 RED/BLACK
 22 CONNECTING WIRE 2P 240 RED/BLACK
 SPEAKER 3.5"4Q50W
 TWEETER ϕ 20 4Q5W
 MCD700 META L FIXER ϕ 3X11
 MCD770 ALUMIMIUM TWEETER CIRCLE
 MCD772 ALUMIMIUM KNOB PARTS
 WD-1 PORT TUBE ϕ 38X105 BLACK
 MCD770 TWEETER BRACKET HIPS BLACK
 RUBBER FOOT ϕ 12X8X7 BLACK
 MCD700 PLASTIC FIXER ϕ 6X6 BLACK
 MCD772 WOODEN BOX 204X128X176
 MCD772/93 SPEAKER BOX LABEL 34X20
 PHILIPS TORX T-10 1.5P 3.0X10.0 AB3
 SCREW 2.6 X 8 BA BLACK
 HEX SOCKET CAP SC TsA 1.4P 3.0X16.0 NI
 PLASTIC BAG(PE) 40X32cm PHILIPS

MCD772/93 SPEAKER BOX ASS'Y(R)
 PHILIPS SCUTCHEON 20.3X4.2X1.5 SILVER
 MCD772 GRILLE BRACKET ABS+10%
 NON-POLARITG ELEC.CAP.2.2u 50V M SBP5X11
 SPEAKER TERMINAL DJ-1320-1 44X44 RED/BL.
 22 CONNECTING WIRE 2P 150 RED/BLACK
 22 CONNECTING WIRE 2P 240 RED/BLACK
 SPEAKER 3.5"4Q50W
 TWEETER ϕ 20 4Q5W
 MCD700 META L FIXER ϕ 3X11
 MCD770 ALUMIMIUM TWEETER CIRCLE
 MCD772 ALUMIMIUM KNOB PARTS
 WD-1 PORT TUBE ϕ 38X105 BLACK
 MCD770 TWEETER BRACKET HIPS BLACK
 RUBBER FOOT ϕ 12X8X7 BLACK
 MCD700 PLASTIC FIXER ϕ 6X6 BLACK
 MCD772 WOODEN BOX 204X128X176
 MCD772/93 SPEAKER BOX LABEL 34X20
 PHILIPS TORX T-10 1.5P 3.0X10.0 AB3
 SCREW 2.6 X 8 BA BLACK
 HEX SOCKET CAP SC TsA 1.4P 3.0X16.0 NI
 PLASTIC BAG(PE) 40X32cm PHILIPS

Factory partlist-MCD772/93 ACCESSORY PARTS

WARRANTY CARD PH 9965 100 07956
 PH SERVICE WEBSITE 3141 075 21791
 WARRANTY CARD PH ENGLISH/CHINESE 208X293
 PASS PAPER 35X46

Factory Partlist--Accessoty Part

MCD772/93 QUICK START GUIDE
MCD772/93 INSTRUCTION MANUAL
MCD772/93 WARRANTY CRAD MODEL LABEL 40X1
PLASTIC BAG(PE) 26X17cm PHILIPS
SPEAKER WIRE 3m
AAA BATTERY 1.5V PHILIPS
PLASTIC BAG(PE) 15X10cm

Factory partlist--MCD772/93 PACKING PARTS

MCD772 POLYFOAM
PLASTIC BAG(PE) 45X25cm PHILIPS
PLASTIC BAG(PE) 26X7cm(PHILIPS)
DVD REGION CODE LABEL V93
PASSED LABEL Φ 13
CARTON SERIAL NO. LABEL PHILIPS/93 82X32
CCC Ra PREVENTION LABEL
LASER WARNING LABEL PH Φ 15 BLACK
DESIGNE LABEL PH 43X11
Dolby LABEL PH 59.5X13
MCD772/93 CARTON BOX
MCD772/93 GIFT BOX LABEL 91X111
MCD772/93 DVD UNIT MAIN LABEL 52X30
MCD772/93 AMP UNIT MAIN LABEL 52X30
MCD772/93 POS BILLBOARD
DIVX LABEL 52X12

Factory partlist

Factory Partlist--DVD Parts

D007	MCD772 DISPLAY BOARD ASS'Y
R109	CARBON FILM RESISTOR 10K 1/8W J-52
R111	CARBON FILM RESISTOR 10K 1/8W J-52
R113	CARBON FILM RESISTOR 10K 1/8W J-52
R114	CARBON FILM RESISTOR 10K 1/8W J-52
R105	CARBON FILM RESISTOR 33K 1/8W J-52
R106	CARBON FILM RESISTOR 33K 1/8W J-52
R107	CARBON FILM RESISTOR 33K 1/8W J-52
R108	CARBON FILM RESISTOR 33K 1/8W J-52
R112	CARBON FILM RESISTOR 47 1/8W J-52
R110	CARBON FILM RESISTOR 4.7K 1/8W J-52
R104	CARBON FILM RESISTOR 47K 1/8W J-52
R101	CARBON FILM RESISTOR 5.6 1/2W J-52
R102	CARBON FILM RESISTOR 5.6 1/2W J-52
C102	CERAMIC CAP. 104P 50V K-5
C103	CERAMIC CAP. 104P 50V K-5
C104	CERAMIC CAP. 104P 50V K-5
C101	ELECTROLYTIC CAP.47u 16V L-5 5X5
D701	DIODE 4148-52
D703	DIODE 4148-52
D704	DIODE 4148-52
IC101	IC PT6311/SC16311/CD16311
S101	IR SENSOR SMALL BLACK
SW101	TACT SWITCH TS-1307-01 6X6X5
SW103	TACT SWITCH TS-1307-01 6X6X5
SW104	TACT SWITCH TS-1307-01 6X6X5
SW105	TACT SWITCH TS-1307-01 6X6X5
SW106	TACT SWITCH TS-1307-01 6X6X5
SW107	TACT SWITCH TS-1307-01 6X6X5
SW108	TACT SWITCH TS-1307-01 6X6X5
SW109	TACT SWITCH TS-1307-01 6X6X5
SW102	TACT SWITCH HCT-1106W 6X3X4.3
VFD101	VFD DISPLAY NE-770D-1.GB
JP101	BARE WIRE Φ 0.6X40mm (375m=1kG)
JP102	BARE WIRE Φ 0.6X40mm (375m=1kG)
JP103	BARE WIRE Φ 0.6X40mm (375m=1kG)
JP104	BARE WIRE Φ 0.6X40mm (375m=1kG)
JP105	BARE WIRE Φ 0.6X40mm (375m=1kG)
JP106	BARE WIRE Φ 0.6X40mm (375m=1kG)
JP107	BARE WIRE Φ 0.6X40mm (375m=1kG)
JP108	BARE WIRE Φ 0.6X40mm (375m=1kG)
JP109	BARE WIRE Φ 0.6X40mm (375m=1kG)
JP110	BARE WIRE Φ 0.6X40mm (375m=1kG)
JP111	BARE WIRE Φ 0.6X40mm (375m=1kG)
JP112	BARE WIRE Φ 0.6X40mm (375m=1kG)
JP113	BARE WIRE Φ 0.6X40mm (375m=1kG)
JP114	BARE WIRE Φ 0.6X40mm (375m=1kG)
JP115	BARE WIRE Φ 0.6X40mm (375m=1kG)
JP116	BARE WIRE Φ 0.6X40mm (375m=1kG)
JP117	BARE WIRE Φ 0.6X40mm (375m=1kG)
JP118	BARE WIRE Φ 0.6X40mm (375m=1kG)
	VFD DISPLAY PCB 35-MCD772-01A1
	28 WIRE 200 2.0/12PX1 2.0/9PX1
UNDERLAY VFD	BLACK SPONGE 20X20X2 40°
UNDERLAY IR	MCD770 IR RECEIVER BRACKET(ABS)
D005	MCD772 USB BOARD ASS'Y
J301	USB JACK A-TYPE 4P FEMALE 90 DIP TYPE 26SHIELDING#WIRE160 2.0/4PX1 2.0/4PX1

Factory partlist--DVD Parts

	USB PCB 35-MCD772-03A1
D015	MCD772/TC540 AUX BOARD ASS'Y
R501	CARBON FILM RESISTOR 560 1/8W J-52
R502	CARBON FILM RESISTOR 560 1/8W J-52
C501	CERAMIC CAP. 332p 50V K-5
C502	CERAMIC CAP. 332p 50V K-5
J501	RCA SOCKET 2P AV2-8.4-14 RED/WHITE 26SHIELDING WIRE130#2.0/3PX1 2.0/3PX1 AUX PCB 35-MCD772-05A1
D018	ECO6-05 TUNER BOARD ASS'Y(NO RDS)
CN1	PINS CONNECTOR 2.0X2X4P H8 BLACK SPONGE 5X5X2 40° SHIELDING BOX F-8E 28X26X13 (PLATING)
	5760IC TUNER BOARD ASS'Y
R18	CHIP RESISTOR 100K 1/16W J(0603)
R15	CHIP RESISTOR 10K 1/16W J(0603)
R16	CHIP RESISTOR 10K 1/16W J(0603)
R8	CHIP RESISTOR 10K 1/16W J(0603)
R19	CHIP RESISTOR 10 1/16W J(0603)
R2	CHIP RESISTOR 1M 1/16W J(0603)
R3	CHIP RESISTOR 1M 1/16W J(0603)
R12	CHIP RESISTOR 1M 1/16W J(0603)
R4	CHIP RESISTOR 4.7K 1/16W J(0603)
R5	CHIP RESISTOR 4.7K 1/16W J(0603)
R6	CHIP RESISTOR 4.7K 1/16W J(0603)
R1	CHIP RESISTOR 47 1/16W J(0603)
R11	CHIP RESISTOR 10M 1/16W J (0603)
R13	CHIP RESISTOR 820 1/16W J(0603)
R14	CHIP RESISTOR 820 1/16W J(0603)
C14	CHIP CAP.10P 50V J (0603) NPO
R22	CHIP RESISTOR 330 1/16W J(0603)
C20	CHIP CAP.12P 50V J(0603)NPO
C25	CHIP CAP.223P 50V M (0603) Y5V
C21	CHIP CAP.39P 50V J (0603) NPO
C8	CHIP CAP.47P 50V J(0603)NPO
C25	CHIP CAP.224P 50V M (0603) Y5V
C3	CHIP CAP.224P 50V M (0603) Y5V
C4	CHIP CAP.224P 50V M (0603) Y5V
C5	CHIP CAP.224P 50V M (0603) Y5V
C1	TANTALUM CAP. 22u 6.3V (A) (3216)
C18	TANTALUM CAP. 22u 6.3V (A) (3216)
C19	TANTALUM CAP. 22u 6.3V (A) (3216)
C22	TANTALUM CAP. 22u 6.3V (A) (3216)
C24	TANTALUM CAP. 22u 6.3V (A) (3216)
C7	CHIP CAP.27P 50V J(0603) NPO
C6	CHIP CAP.100P 50V K (0603) X7R
C23	CHIP CAP.100P 50V K (0603) X7R
C10	CHIP CAP.103P 50V K (0603) X7R
C11	CHIP CAP.103P 50V K (0603) X7R
C15	CHIP CAP.103P 50V K (0603) X7R
C16	CHIP CAP.103P 50V K (0603) X7R
C17	CHIP CAP.103P 50V K (0603) X7R
C13	CHIP CAP.104P 50V M (0603) Y5V
C12	CHIP CAP.104P 50V M (0603) Y5V
C9	CHIP CAP.104P 50V M (0603) Y5V
L1	CHIP INDUCTOR 120n (0603)
L7	CHIP INDUCTOR 39n J (0603)
L8	CHIP INDUCTOR 10U (0603)
DZ1	CHIP ZENER DIODE 3.6V 1/2W (LL-34)
Q2	CHIP TRANSISTOR 9014 (SOT-23)

Factory Partlist--DVD Parts

Q3	CHIP TRANSISTOR 9014 (SOT-23)
Q1	CHIP TRANSISTOR 8050(SOT-23)
IC2	IC 74HC2G04
IC1	IC TEA5760UK
X1	CRYSTAL OSCILLATOR 32.768KHZ ϕ 2X6
L4	CHIP BEAD 601 K (0603)
L5	CHIP BEAD 601 K (0603)
	TUNER PCB 35-ECO6-05A1
D021	MCD708 MECHANISIM ASS'Y(313AAD)
	DVD MECHANISM SONY KHM-313AAD
	DVD MECHANISM BRACKET RT-632N2-H
D023	MCD772/93 MCU PARTS ASS'Y
DIP42	CPU U252(S3C9228 XYZ-CAN CHANGE)
	MCD772/93 CPU SOFTWARE
D023	MCD772/93 DECODER ASS'Y
	DVD DECODER EJS89S772-93(PCB: EJS89S1504)
	MCD772/93 DECODER SOFTWARE
D004	MCD770 STANDBY BUTTON PARTS
D004A	MCD770 STANDBY BUTTON(ABS)
D004B	MCD770 STANDBY BUTTON BRACKET(ABS)
D006	CENTER BUTTON ASS'Y MCD772
D006A	MCD772 CENTER BUTTON ABS
D006B	MCD772 CENTER BUTTON BRACKET(ABS)
D003	MCD772 DVD PLASTIC CABINET ASS'Y
D003B	MCD770 USB SPRING ϕ 0.4
D003E	MCD770 OPEN/CLOSE BUTTON(PLATE)
D003F	MCD770 FUNCTION BUTTON
D003C	MCD772 DVD PLASTIC CABINET
D003D	MCD772 DIRECTION BUTTON ABS
D020	MCD770 DVD DOOR ASS'Y BLACK
	SCUTCHEON PHILIPS 22X4.3
D020A	MCD770 DVD DOOR ALUMINIUM PIECE(BLACK)
D020B	MCD770 DVD DOOR BRACKET(ABS)
	MCD772/93 DVD CASING PARTS ASS'Y
D002	MCD772 DVD ALUMINUM FRONT CABINET
D012	MCD770 DVD METAL BOTTOM CHASSIS
D022	MCD770 DVD ALUMINUM TOP COVER
D019	MCD772 BACK METAL PLATE
D001	MCD770 DVD DISPLAY LENS
D003A	MCD770 USB DOOR(ABS)
D013	MCD770 DVD MECHANISM BRACKET(HIPS)
D014	MCD770 DVD MECHANISM BRACKET(HIPS)
D011	MCD770 PLASTIC FOOT(HIPS)
D010	MCD770 RUBBER PAD ϕ 12X1.5 RUBBER BLACK
	SCREW 3 X 5 FMTT (PLATING)
	SCREW 2.6 X 8 PA (PLATING)
	SCREW 3 X 5 BMTT (PLATING)
	PHILIPS TORX T-10 1.5P 3.0X10.0 AB3
	TORX STTP T-10 3.0X6.0 AB3
	SCREW 3 X 5 BM (PLATING)
	SCREW 3 X 10 BA (PLATING)
	SCREW 3 X 10 PWA (PLATING)
	TORX T-7 STTK 8010 3.0X6.0 NI
	TORX T-10 STTB 3.0X6.0 NI
	FLAT FLEXIBLE CABLE 24PX120X0.5XA
	28WIRE 140 2.0/5PX2
	28 WIRE 80 2.0/6PX2